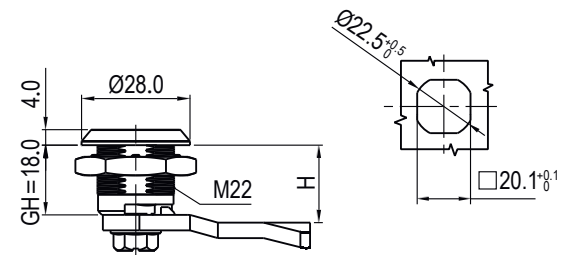
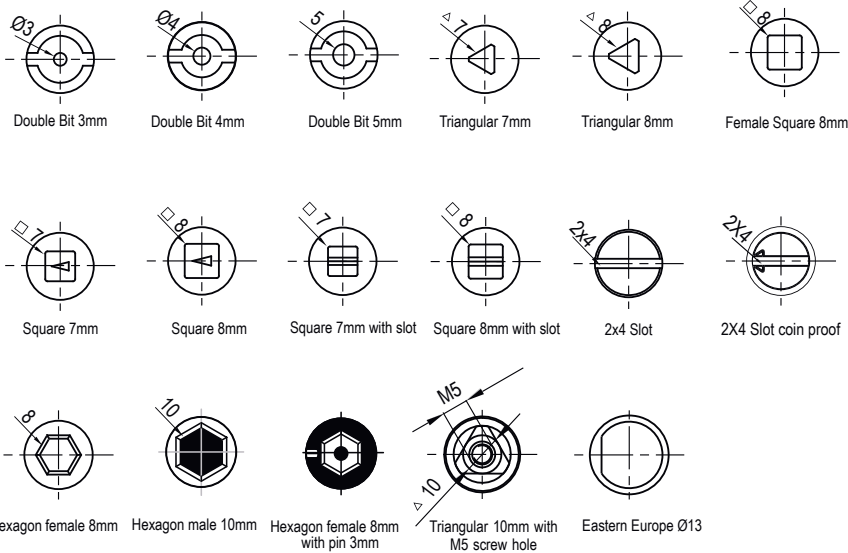
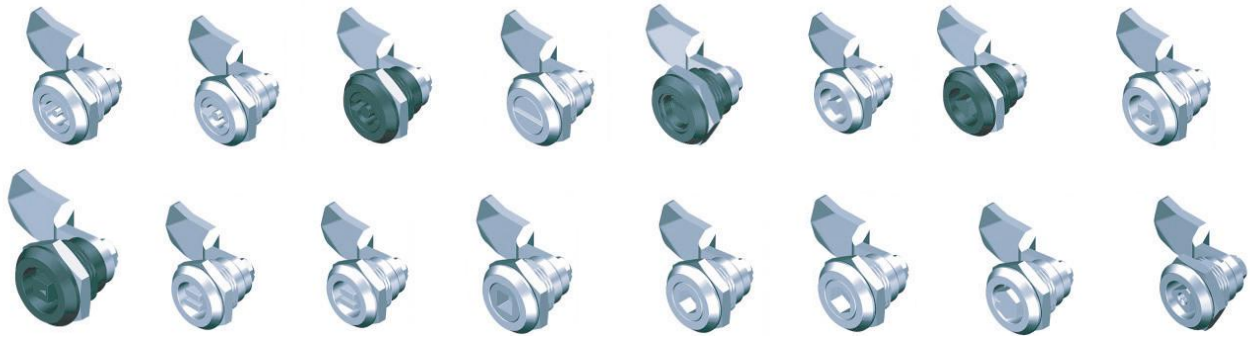


## LOCKS HINGES ACCESSORIES

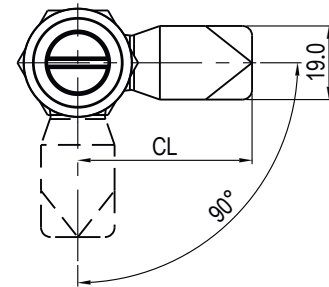
PRODUCT CATALOGUE 2025/2026



# Quarter Turn Lock



Panel cutout

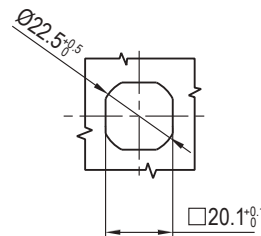
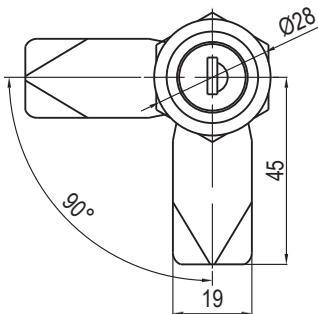
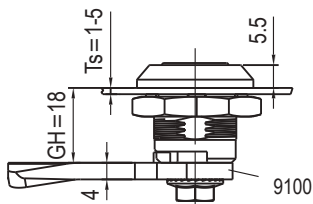


Insert type	Zinc die casting or Stainless Steel				
	Bright Chrome	Black Textured Powder Coated	PA	PA Housing+Zinc Die Insert	SUS 316
Double Bit 3mm	LK1401-013-30	LK1401-013-20		LK1401-013-20P	LK1401-013-316
Double Bit 4mm	LK1401-014-30	LK1401-014-20		LK1401-014-20P	LK1401-014-316
Double Bit 5mm	LK1401-015-30	LK1401-015-20	LK1401-015P-20	LK1401-015-20P	LK1401-015-316
2x4 Slot	LK1401-024-30	LK1401-024-20	LK1401-024P-20	LK1401-024-20P	
2x4 Slot coin proof	LK1401-124-30	LK1401-124-20		LK1401-124-20P	
Triangular 7mm	LK1401-037-30	LK1401-037-20		LK1401-037-20P	LK1401-037-316
Triangular 8mm	LK1401-038-30	LK1401-038-20		LK1401-038-20P	LK1401-038-316
Square 6mm	LK1401-046-30	LK1401-046-20		LK1401-046-20P	
Square 7mm	LK1401-047-30	LK1401-047-20		LK1401-047-20P	LK1401-047-316
Square 8mm	LK1401-048-30	LK1401-048-20		LK1401-048-20P	LK1401-048-316
Square 7mm with slot	LK1401-147-30	LK1401-147-20		LK1401-147-20P	
Square 8mm with slot	LK1401-148-30	LK1401-148-20		LK1401-148-20P	
Female square 8mm	LK1401-248-30	LK1401-248-20		LK1401-248-20P	
Hexagon female 8mm	LK1401-168-30	LK1401-168-20		LK1401-168-20P	
Hexagon female 9mm	LK1401-169-30	LK1401-169-20		LK1401-169-20P	
Hexagon female 10mm	LK1401-160-30	LK1401-160-20		LK1401-160-20P	
Hexagon female 8mm with 3mm pin	LK1401-268-30	LK1401-268-20		LK1401-268-20P	
Hexagon male 10mm	LK1401-360-30	LK1401-360-20		LK1401-360-20P	
Eastern Europe Ø13	LK1401-135-30	LK1401-135-20		LK1401-135-20P	
Triangular 10mm with M5 screw hole	LK1401-105-30	LK1401-105-20		LK1401-105-20P	



Index

Lock



Panel cutout

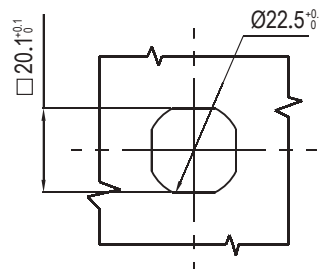
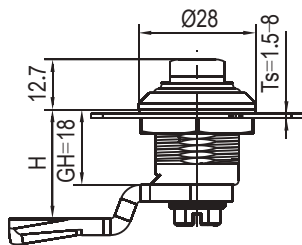
- 1. Accessories ref. to page #
- CAM ref. to page 32

Remark

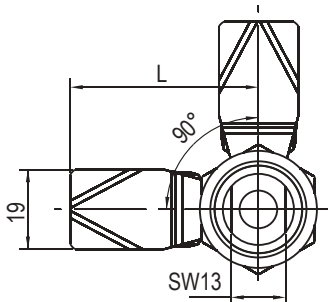
- 1. Key different on request.
- 2. CH751 key code on request

Zinc die handle and housing black powder coated or bright chrome; m.s. zinc plated cam.

Insert type	Zinc die casting		
	Bright Chrome	Black textured Powder Coated	PA
Alike K333	LK 1401-18-30	LK1401-18-20	LK1401-18-PA



Panel cutout



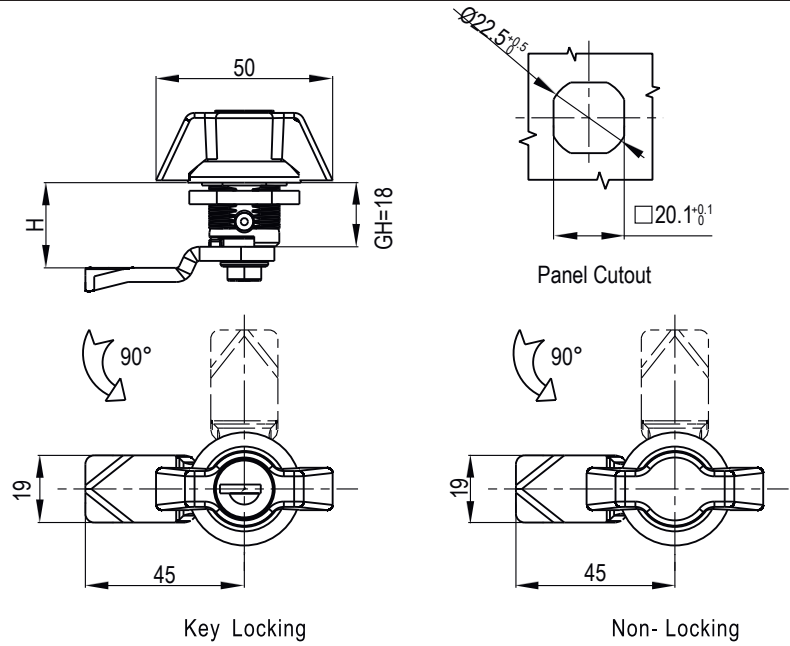
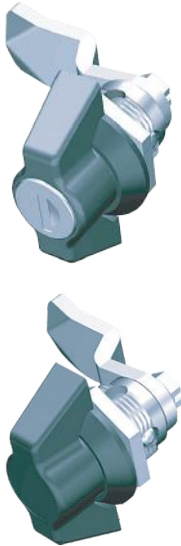
- Accessories ref. to page #
- 1. CAM ref. to page 32

SUS316L housing, insert, sus304 cam

LK316L SUS316L	LK1401-30-316L
----------------	----------------

# Quarter Turn Lock

**RL IP65**



Index

Lock

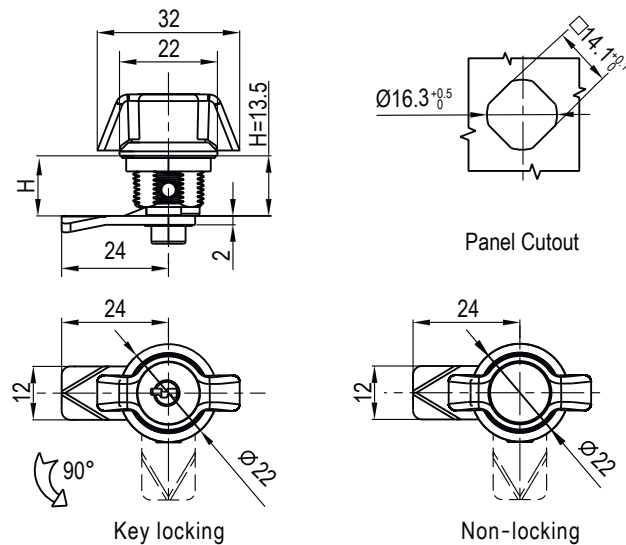
Accessories ref. to page #  
1. CAM ref. to page 32

Remark

1. Key different on request.
2. CH751 key code on request

Zinc die handle and housing black powder coated or bright chrome; m.s. zinc plated cam.

	Bright Chrome	Black Textured Powder Coated	SUS 316
Key locking	LK1402-110-30	LK1402-110-20	LK1402-110-316
Non-locking	LK1402-100-30	LK1402-100-20	LK1402-100-316



Zinc die handle and housing black powder coated or bright chrome; m.s. zinc plated cam.

	H	Black Textured Powder Coated	Bright Chrome
Non-locking	H=7.5	LK 1402-300-20.107.5	LK 1402-300-30.107.5
	H=13.5	LK 1402-300-20.1013.5	LK 1402-300-30.1013.5
	H=19.5	LK 1402-300-20.1019.5	LK 1402-300-30.1019.5
Key locking	H=7.5	LK 1402-310-20.107.5	LK 1402-310-30.107.5
	H=13.5	LK 1402-310-20.1013.5	LK 1402-310-30.1013.5
	H=19.5	LK 1402-310-20.1019.5	LK 1402-310-30.1019.5

Remark  
Key code:2233

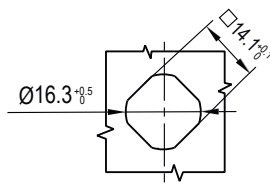
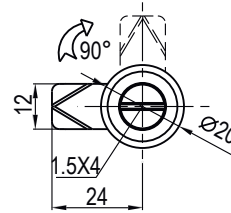
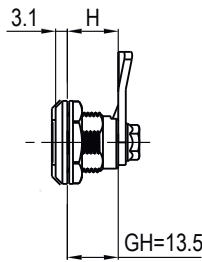
Index

Lock

**RL IP65**

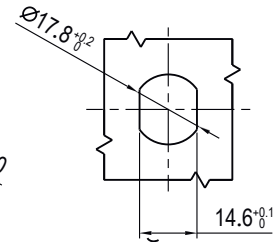
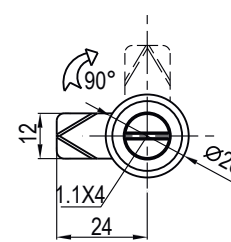
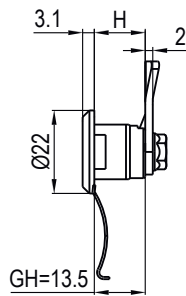


With Nut Mounting



Panel Cutout A

Spring Fixing Plate



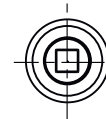
Panel Cutout B



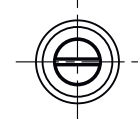
Handle type



Triangular 6.5mm



Square 6mm

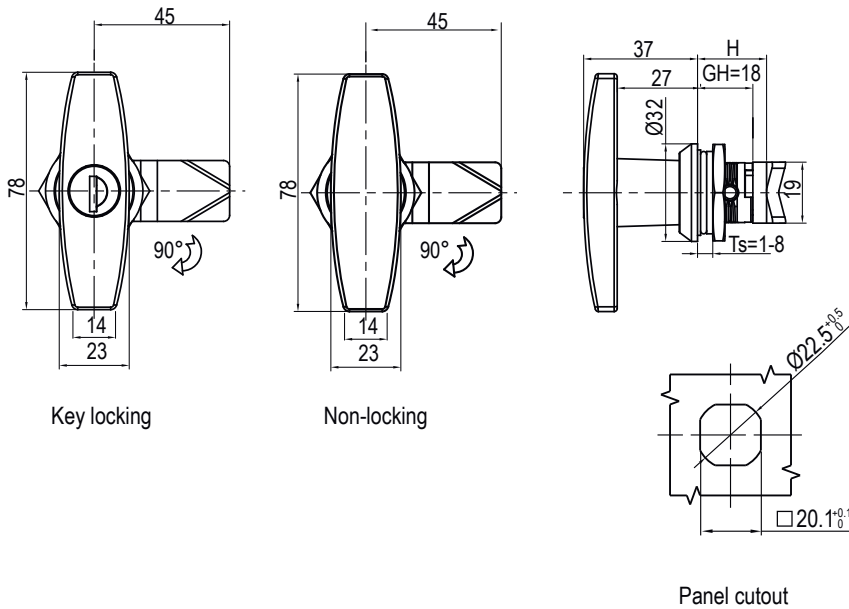


Slot 1.5

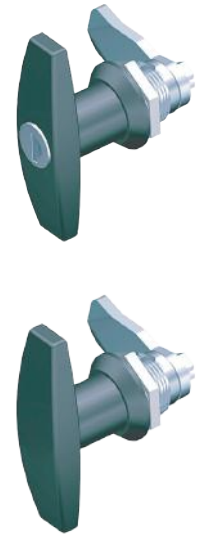
Zinc die body, black textured powder coated or bright chrome, m.s. zinc plated cam.

Cylinder Style	Cam Style H	With Nut Mounting			Spring Fixing Plate		
		Zinc die		SUS 316	Zinc die		SUS 316
		Finish			Finish		
Bright Chrome	Black Textured Powder Coated	Bright Chrome	Black Textured Powder Coated				
Square 6mm	H=7.5	LK1412-046-130.107.5	LK1412-046-120.107.5	LK1412-046-1316.107.5	LK1412-046-230.107.5	LK1412-046-220.107.5	LK1412-046-2316.107.5
	H=13.5	LK1412-046-130.1013.5	LK1412-046-120.1013.5	LK1412-046-1316.1013.5	LK1412-046-230.1013.5	LK1412-046-220.1013.5	LK1412-046-2316.1013.5
	H=19.5	LK1412-046-130.1019.5	LK1412-046-120.1019.5	LK1412-046-1316.1019.5	LK1412-046-230.1019.5	LK1412-046-220.1019.5	LK1412-046-2316.1019.5
Triangular 6.5mm	H=7.5	LK1412-036-130.107.5	LK1412-036-120.107.5	LK1412-036-1316.107.5	LK1412-036-230.107.5	LK1412-036-220.107.5	LK1412-036-2316.107.5
	H=13.5	LK1412-036-130.1013.5	LK1412-036-120.1013.5	LK1412-036-1316.1013.5	LK1412-036-230.1013.5	LK1412-036-220.1013.5	LK1412-036-2316.1013.5
	H=19.5	LK1412-036-130.1019.5	LK1412-036-120.1019.5	LK1412-036-1316.1019.5	LK1412-036-230.1019.5	LK1412-036-220.1019.5	LK1412-036-2316.1019.5
Slot 1.5mm	H=7.5	LK1412-024-130.107.5	LK1412-024-120.107.5	LK1412-024-1316.107.5	LK1412-024-230.107.5	LK1412-024-220.107.5	LK1412-024-2316.107.5
	H=13.5	LK1412-024-130.1013.5	LK1412-024-120.1013.5	LK1412-024-1316.1013.5	LK1412-024-230.1013.5	LK1412-024-220.1013.5	LK1412-024-2316.1013.5
	H=19.5	LK1412-024-130.1019.5	LK1412-024-120.1019.5	LK1412-024-1316.1019.5	LK1412-024-230.1019.5	LK1412-024-220.1019.5	LK1412-024-2316.1019.5
Handle type	H=7.5	LK1412-110-130.107.5	LK1412-110-120.107.5	LK1412-110-1316.107.5	LK1412-110-230.107.5	LK1412-110-220.107.5	LK1412-110-2316.107.5
	H=13.5	LK1412-110-130.1013.5	LK1412-110-120.1013.5	LK1412-110-1316.1013.5	LK1412-110-230.1013.5	LK1412-110-220.1013.5	LK1412-110-2316.1013.5
	H=19.5	LK1412-110-130.1019.5	LK1412-110-120.1019.5	LK1412-110-1316.1019.5	LK1412-110-230.1019.5	LK1412-110-220.1019.5	LK1412-110-2316.1019.5

# Handle Lock



STAINLESS SERIES **RL** IP65



Index

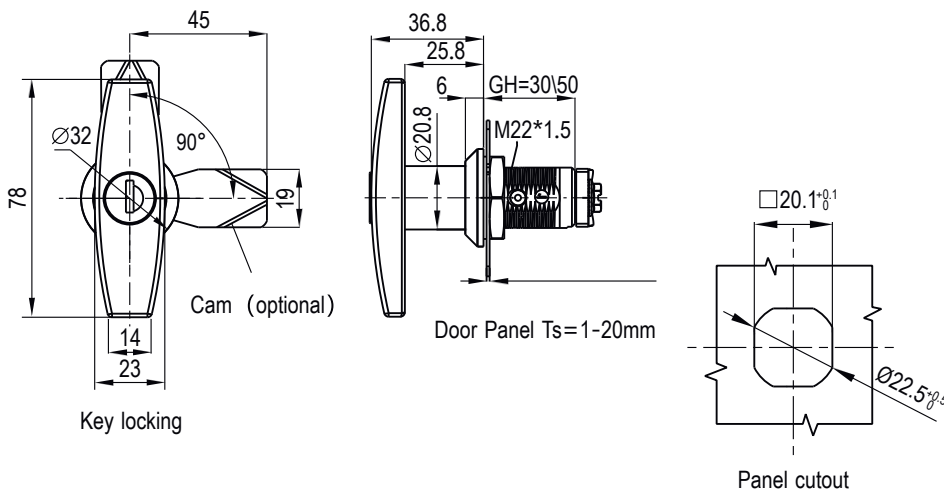
Lock

Zinc die housing and handle; m.s. zinc plated cam.

	Black Textured Powder Coated	Bright Chrome	SUS 316
Key Locking	LK1301-10-20	LK1301-10-30	LK 1301-10-316
Non-locking	LK1301-00-20	LK1301-00-30	LK1301-00-316

Accessories ref. to page #  
1 CAM ref. to page 32

Remark  
1. Key different on request.  
2. CH751 key code on request



**RL** IP65

**NEW**



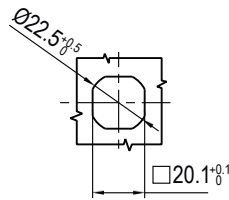
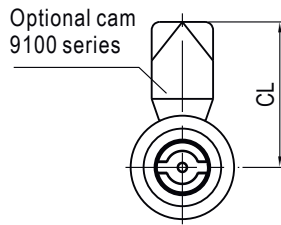
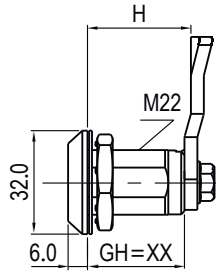
Zinc die handle and housing black powder coated or bright chrome; zinc plated cam.

Insert type	GH=30		GH=50	
	Bright Chrome	Black Textured Powder Coated	Bright Chrome	Black Textured Powder Coated
Key Locking	LK1301-30110-30	LK1301-30110-20	LK 1301-50110-30	LK 1301-50110-20
Non-locking	LK1301-30100-30	LK1301-30100-20	LK 1301-50100-30	LK 1301-50100-20

Accessories ref. to page #  
1 CAM ref. to page 32

Index

Lock



Panel cutout



GH=18



GH=30

Cylinder Style	GH=18 Housing GH=18				GH=30 Housing GH=30			
	Zinc die casting or Stainless Steel							
	Bright Chrome	Black Textured Powder Coated	PA Housing+Zinc Die Insert	Stainless Steel	Bright Chrome	Black Textured Powder Coated	PA Housing+Zinc Die Insert	Stainless Steel
Double Bit 3mm	LK1420-18013-30	LK1420-18013-20	LK1420-18013-20P	LK1420-18013-316	LK1420-30013-30	LK1420-30013-20	LK1420-30013-20P	LK1420-30013-316
Double Bit 4mm	LK1420-18014-30	LK1420-18014-20	LK1420-18014-20P	LK1420-18014-316	LK1420-30014-30	LK1420-30014-20	LK1420-30014-20P	LK1420-30014-316
Double Bit 5mm	LK1420-18015-30	LK1420-18015-20	LK1420-18015-20P	LK1420-18015-316	LK1420-30015-30	LK1420-30015-20	LK1420-30015-20P	LK1420-30015-316
2X4 Slot	LK1420-18024-30	LK1420-18024-20	LK1420-18024-20P	LK1420-18024-316	LK1420-30024-30	LK1420-30024-20	LK1420-30024-20P	LK1420-30024-316
2X4 Slot coin proof	LK1420-18124-30	LK1420-18124-20	LK1420-18124-20P	LK1420-18124-316	LK1420-30124-30	LK1420-30124-20	LK1420-30124-20P	LK1420-30124-316
Triangular 7mm	LK1420-18037-30	LK1420-18037-20	LK1420-18037-20P	LK1420-18037-316	LK1420-30037-30	LK1420-30037-20	LK1420-30037-20P	LK1420-30037-316
Triangular 8mm	LK1420-18038-30	LK1420-18038-20	LK1420-18038-20P	LK1420-18038-316	LK1420-30038-30	LK1420-30038-20	LK1420-30038-20P	LK1420-30038-316
Square 7mm	LK1420-18047-30	LK1420-18047-20	LK1420-18047-20P	LK1420-18047-316	LK1420-30047-30	LK1420-30047-20	LK1420-30047-20P	LK1420-30047-316
Square 8mm	LK1420-18048-30	LK1420-18048-20	LK1420-18048-20P	LK1420-18048-316	LK1420-30048-30	LK1420-30048-20	LK1420-30048-20P	LK1420-30048-316
Square 7mm with slot	LK1420-18147-30	LK1420-18147-20	LK1420-18147-20P	LK1420-18147-316	LK1420-30147-30	LK1420-30147-20	LK1420-30147-20P	LK1420-30147-316
Square 8mm with slot	LK1420-18148-30	LK1420-18148-20	LK1420-18148-20P	LK1420-18148-316	LK1420-30148-30	LK1420-30148-20	LK1420-30148-20P	LK1420-30148-316
Square female 8mm	LK1420-18248-30	LK1420-18248-20	LK1420-18248-20P	LK1420-18248-316	LK1420-30248-30	LK1420-30248-20	LK1420-30248-20P	LK1420-30248-316
Hexagon female 8mm	LK1420-18168-30	LK1420-18168-20	LK1420-18168-20P	LK1420-18168-316	LK1420-30168-30	LK1420-30168-20	LK1420-30168-20P	LK1420-30168-316
Hexagon female 9mm	LK1420-18169-30	LK1420-18169-20	LK1420-18169-20P	LK1420-18169-316	LK1420-30169-30	LK1420-30169-20	LK1420-30169-20P	LK1420-30169-316
Hexagon female 8mm with 3mm pin	LK1420-18268-30	LK1420-18268-20	LK1420-18268-20P	LK1420-18268-316	LK1420-30268-30	LK1420-30268-20	LK1420-30268-20P	LK1420-30268-316
Hexagon male 10mm	LK1420-18360-30	LK1420-18360-20	LK1420-18360-20P	LK1420-18360-316	LK1420-30360-30	LK1420-30360-20	LK1420-30360-20P	LK1420-30360-316
Triangular 10mm with M5 screw hole	LK1420-18105-30	LK1420-18105-20	LK1420-18105-20P	LK1420-18105-316	LK1420-30105-30	LK1420-30105-20	LK1420-30105-20P	LK1420-30105-316

Cylinder Style	GH=36 Housing GH=36				GH=40 Housing GH=40			
	Zinc die casting or Stainless Steel							
	Bright Chrome	Black Textured Powder Coated	PA Housing+Zinc Die Insert	Stainless Steel	Bright Chrome	Black Textured Powder Coated	PA Housing+Zinc Die Insert	Stainless Steel
Double Bit 3mm	LK1420-36013-30	LK1420-36013-20	LK1420-36013-20P	LK1420-36013-316	LK1420-40013-30	LK1420-40013-20	LK1420-40013-20P	LK1420-40013-316
Double Bit 4mm	LK1420-36014-30	LK1420-36014-20	LK1420-36014-20P	LK1420-36014-316	LK1420-40014-30	LK1420-40014-20	LK1420-40014-20P	LK1420-40014-316
Double Bit 5mm	LK1420-36015-30	LK1420-36015-20	LK1420-36015-20P	LK1420-36015-316	LK1420-40015-30	LK1420-40015-20	LK1420-40015-20P	LK1420-40015-316
2X4 Slot	LK1420-36024-30	LK1420-36024-20	LK1420-36024-20P	LK1420-36024-316	LK1420-40024-30	LK1420-40024-20	LK1420-40024-20P	LK1420-40024-316
2X4 Slot coin proof	LK1420-36124-30	LK1420-36124-20	LK1420-36124-20P	LK1420-36124-316	LK1420-40124-30	LK1420-40124-20	LK1420-40124-20P	LK1420-40124-316
Triangular 7mm	LK1420-36037-30	LK1420-36037-20	LK1420-36037-20P	LK1420-36037-316	LK1420-40037-30	LK1420-40037-20	LK1420-40037-20P	LK1420-40037-316
Triangular 8mm	LK1420-36038-30	LK1420-36038-20	LK1420-36038-20P	LK1420-36038-316	LK1420-40038-30	LK1420-40038-20	LK1420-40038-20P	LK1420-40038-316
Square 7mm	LK1420-36047-30	LK1420-36047-20	LK1420-36047-20P	LK1420-36047-316	LK1420-40047-30	LK1420-40047-20	LK1420-40047-20P	LK1420-40047-316
Square 8mm	LK1420-36048-30	LK1420-36048-20	LK1420-36048-20P	LK1420-36048-316	LK1420-40048-30	LK1420-40048-20	LK1420-40048-20P	LK1420-40048-316
Square 7mm with slot	LK1420-36147-30	LK1420-36147-20	LK1420-36147-20P	LK1420-36147-316	LK1420-40147-30	LK1420-40147-20	LK1420-40147-20P	LK1420-40147-316
Square 8mm with slot	LK1420-36148-30	LK1420-36148-20	LK1420-36148-20P	LK1420-36148-316	LK1420-40148-30	LK1420-40148-20	LK1420-40148-20P	LK1420-40148-316
Square female 8mm	LK1420-36248-30	LK1420-36248-20	LK1420-36248-20P	LK1420-36248-316	LK1420-40248-30	LK1420-40248-20	LK1420-40248-20P	LK1420-40248-316
Hexagon female 8mm	LK1420-36168-30	LK1420-36168-20	LK1420-36168-20P	LK1420-36168-316	LK1420-40168-30	LK1420-40168-20	LK1420-40168-20P	LK1420-40168-316
Hexagon female 9mm	LK1420-36169-30	LK1420-36169-20	LK1420-36169-20P	LK1420-36169-316	LK1420-40169-30	LK1420-40169-20	LK1420-40169-20P	LK1420-40169-316
Hexagon female 8mm with 3mm pin	LK1420-36268-30	LK1420-36268-20	LK1420-36268-20P	LK1420-36268-316	LK1420-40268-30	LK1420-40268-20	LK1420-40268-20P	LK1420-40268-316
Hexagon male 10mm	LK1420-36360-30	LK1420-36360-20	LK1420-36360-20P	LK1420-36360-316	LK1420-40360-30	LK1420-40360-20	LK1420-40360-20P	LK1420-40360-316
Triangular 10mm with M5 screw hole	LK1420-36105-30	LK1420-36105-20	LK1420-36105-20P	LK1420-36105-316	LK1420-40105-30	LK1420-40105-20	LK1420-40105-20P	LK1420-40105-316

# Quarter Turn Lock



GH=36



GH=40



GH=50



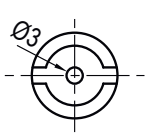
GH=60

Index

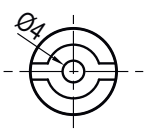
Lock

Zinc die handle and housing, black powder coated or bright chrome, m.s.  
zinc plated cam or full stainless steel.

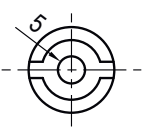
Cylinder Style	GH=50 Housing GH=50				GH=60 Housing GH=60			
	Zinc die casting or Stainless Steel				Zinc die casting or Stainless Steel			
	Bright Chrome	Black Textured Powder Coated	PA Housing+Zinc Die Insert	Stainless Steel	Bright Chrome	Black Textured Powder Coated	PA Housing+Zinc Die Insert	Stainless Steel
Double Bit 3mm	LK1420-50013-30	LK1420-50013-20	LK1420-50013-20P	LK1420-50013-316	LK1420-60013-30	LK1420-60013-20	LK1420-60013-20P	LK1420-60013-316
Double Bit 4mm	LK1420-50014-30	LK1420-50014-20	LK1420-50014-20P	LK1420-50014-316	LK1420-60014-30	LK1420-60014-20	LK1420-60014-20P	LK1420-60014-316
Double Bit 5mm	LK1420-50015-30	LK1420-50015-20	LK1420-50015-20P	LK1420-50015-316	LK1420-60015-30	LK1420-60015-20	LK1420-60015-20P	LK1420-60015-316
2X4 Slot	LK1420-50024-30	LK1420-50024-20	LK1420-50024-20P	LK1420-50024-316	LK1420-60024-30	LK1420-60024-20	LK1420-60024-20P	LK1420-60024-316
2X4 Slot coin proof	LK1420-50124-30	LK1420-50124-20	LK1420-50124-20P	LK1420-50124-316	LK1420-60124-30	LK1420-60124-20	LK1420-60124-20P	LK1420-60124-316
Triangular 7mm	LK1420-50037-30	LK1420-50037-20	LK1420-50037-20P	LK1420-50037-316	LK1420-60037-30	LK1420-60037-20	LK1420-60037-20P	LK1420-60037-316
Triangular 8mm	LK1420-50038-30	LK1420-50038-20	LK1420-50038-20P	LK1420-50038-316	LK1420-60038-30	LK1420-60038-20	LK1420-60038-20P	LK1420-60038-316
Square 7mm	LK1420-50047-30	LK1420-50047-20	LK1420-50047-20P	LK1420-50047-316	LK1420-60047-30	LK1420-60047-20	LK1420-60047-20P	LK1420-60047-316
Square 8mm	LK1420-50048-30	LK1420-50048-20	LK1420-50048-20P	LK1420-50048-316	LK1420-60048-30	LK1420-60048-20	LK1420-60048-20P	LK1420-60048-316
Square 7mm with slot	LK1420-50147-30	LK1420-50147-20	LK1420-50147-20P	LK1420-50147-316	LK1420-60147-30	LK1420-60147-20	LK1420-60147-20P	LK1420-60147-316
Square 8mm with slot	LK1420-50148-30	LK1420-50148-20	LK1420-50148-20P	LK1420-50148-316	LK1420-60148-30	LK1420-60148-20	LK1420-60148-20P	LK1420-60148-316
Square female 8mm	LK1420-50248-30	LK1420-50248-20	LK1420-50248-20P	LK1420-50248-316	LK1420-60248-30	LK1420-60248-20	LK1420-60248-20P	LK1420-60248-316
Hexagon female 8mm	LK1420-50168-30	LK1420-50168-20	LK1420-50168-20P	LK1420-50168-316	LK1420-60168-30	LK1420-60168-20	LK1420-60168-20P	LK1420-60168-316
Hexagon female 9mm	LK1420-50169-30	LK1420-50169-20	LK1420-50169-20P	LK1420-50169-316	LK1420-60169-30	LK1420-60169-20	LK1420-60169-20P	LK1420-60169-316
Hexagon female 8mm with 3mm pin	LK1420-50268-30	LK1420-50268-20	LK1420-50268-20P	LK1420-50268-316	LK1420-60268-30	LK1420-60268-20	LK1420-60268-20P	LK1420-60268-316
Hexagon male 10mm	LK1420-50360-30	LK1420-50360-20	LK1420-50360-20P	LK1420-50360-316	LK1420-60360-30	LK1420-60360-20	LK1420-60360-20P	LK1420-60360-316
Triangular 10mm with M5 screw hole	LK1420-50105-30	LK1420-50105-20	LK1420-50105-20P	LK1420-50105-316	LK1420-60105-30	LK1420-60105-20	LK1420-60105-20P	LK1420-60105-316



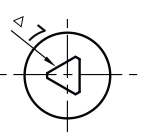
Double Bit 3mm



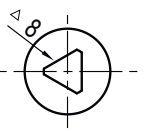
Double Bit 4mm



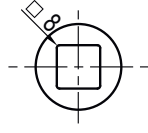
Double Bit 5mm



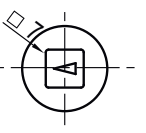
Triangular 7mm



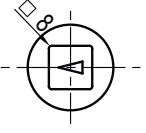
Triangular 8mm



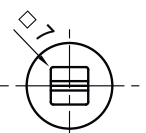
Female Square 8mm



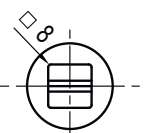
Square 7mm



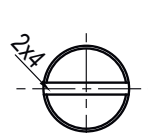
Square 8mm



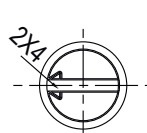
Square 7mm with slot



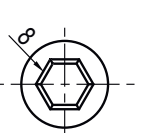
Square 8mm with slot



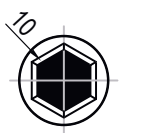
2x4 Slot



2X4 Slot coin proof



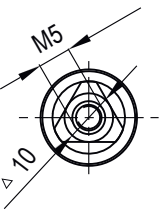
Hexagon female 8mm



Hexagon male 10mm



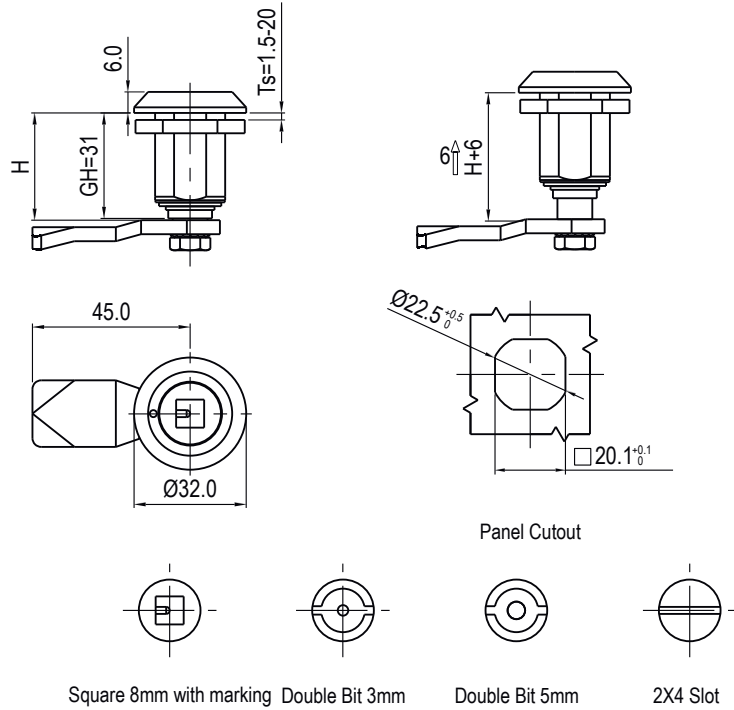
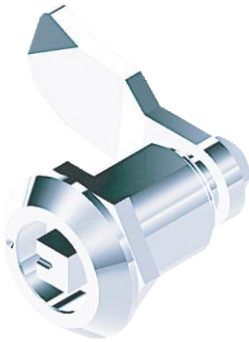
Hexagon female 8mm with pin 3mm



Triangular 10mm with M5 screw hole

Index

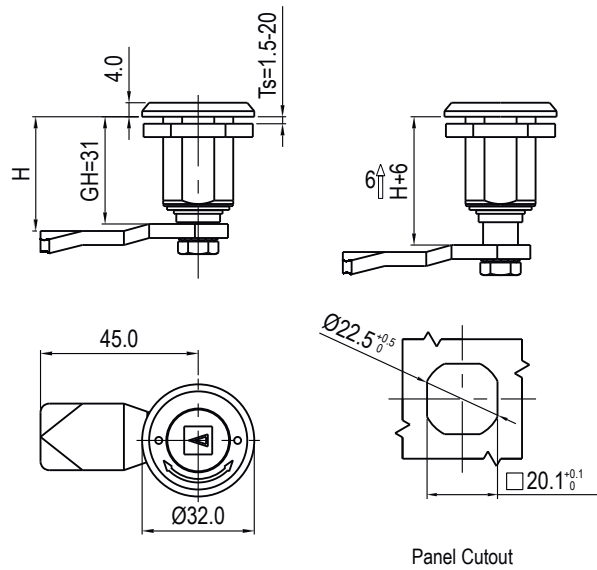
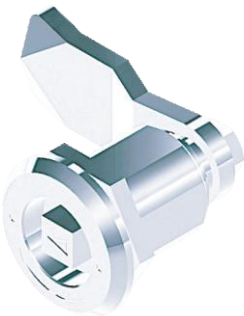
Lock



Compression latch SUS 316, with spring and seal

Accessories ref. page#  
1. Cam ref. to page 32

Cylinder Style	316 SUS 316
Square 8mm with marking	LK1438-048-316
2X4 Slot	LK1438-024-316
Double Bit 3mm	LK1438-013-316
Double Bit 5mm	LK1438-015-316



Compression latch with arrowhead and red-green marking SUS 316, with spring and flat seal

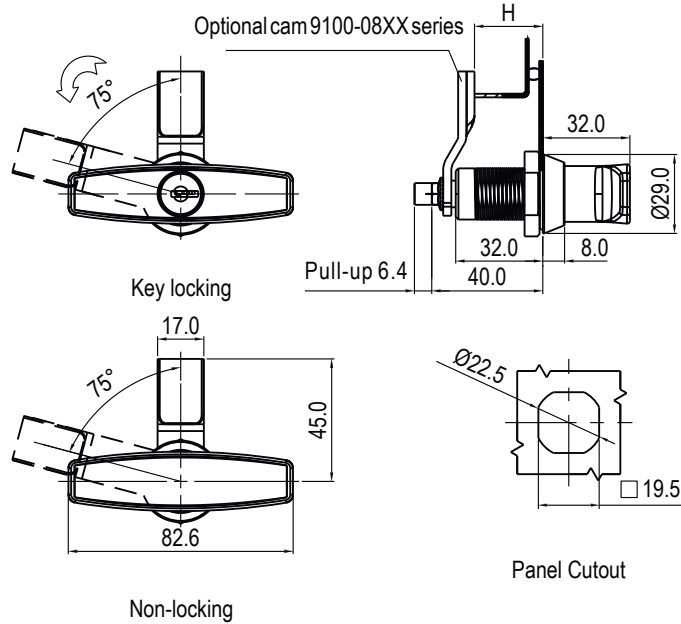
Accessories ref. page#  
1. Cam ref. to page 32

Cylinder Style	316 SUS 316	
	Left	Right
Square 8mm with marking	LK1438-048S-316L	LK1438-048S-316R

# Compression latch, Large version



Fixed grip range



Index

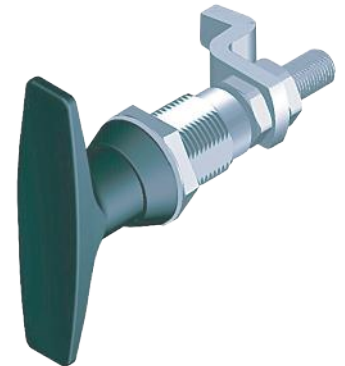
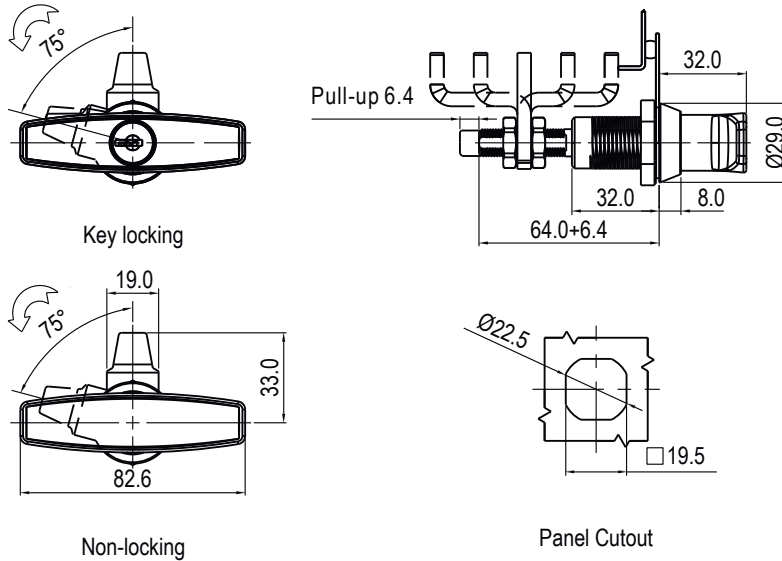
Lock



Zinc die housing cylinder; Black powder coated or bright chrome ,M.S. zinc plated cam and shaft.

Short shaft	Head Style	
	Key Locking	Non-locking
	LK1439-110-S20	LK1439-100-S20

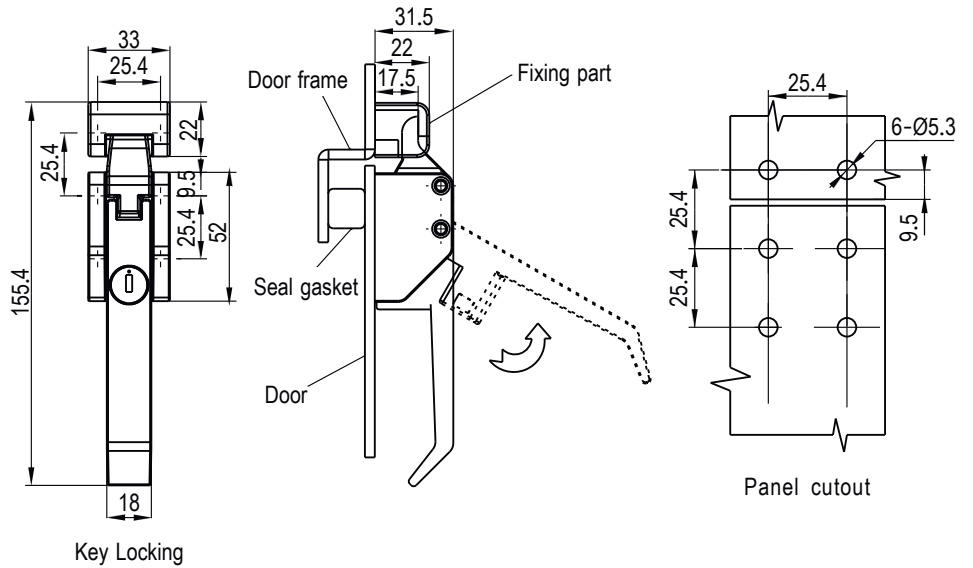
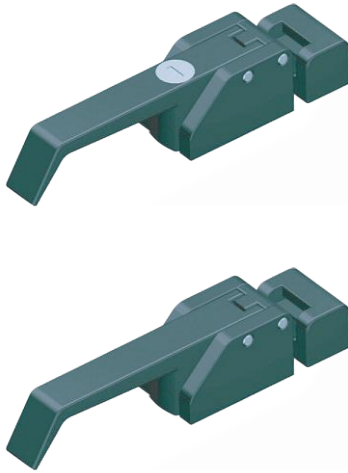
Adjustable grip range



Zinc die housing cylinder; black powder coated or bright chrome ,m.s. zinc plated cam and shaft.

Shaft style	Cam Style BH	Grip Range		Head Style	
		Min	Max	Key Locking	Non-locking
Long Shaft	Reversed Cam	11.4	27.2	LK1439-110-L1520	LK1439-100-L1520
		25.4	41.1	LK1439-110-L2520	LK1439-100-L2520
	Straight Cam	38.9	54.6	LK1439-110-L3520	LK1439-100-L3520
		52.6	68.3	LK1439-110-L2520	LK1439-100-L2520
Offset Cam	66.3	76.2	LK1439-110-L1520	LK1439-100-L1520	

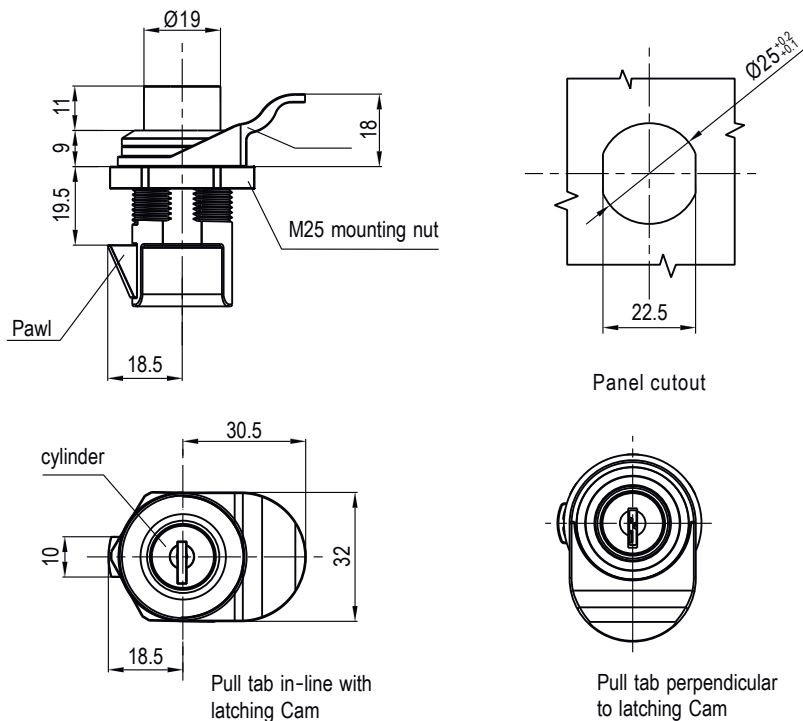
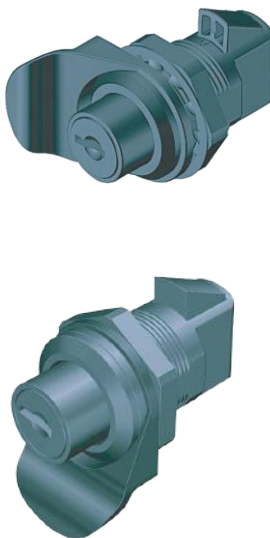
Index  
Lock



Zinc die, black powder coated or bright chrome

	Screw Hole M5X0.8			Screw Hole 10-32UNC		
	Black Powder Coated	Bright Chrome	Stainless Steel	Black Powder Coated	Bright Chrome	Stainless Steel
CH751 Locking	LK1271-10-10	LK1271-10-30	LK1271-10-316	LK1271-110-10	LK1271-110-30	LK1271-110-316
Non-locking	LK1271-00-10	LK1271-00-30	LK1271-00-316	LK1271-100-10	LK1271-100-30	LK1271-100-316

**RL**



ABS black

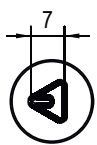
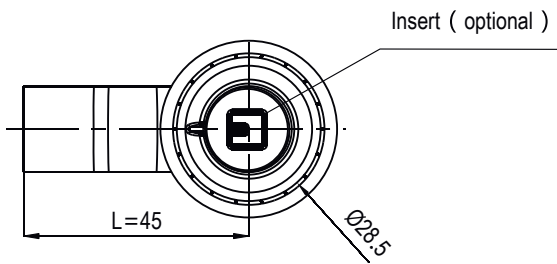
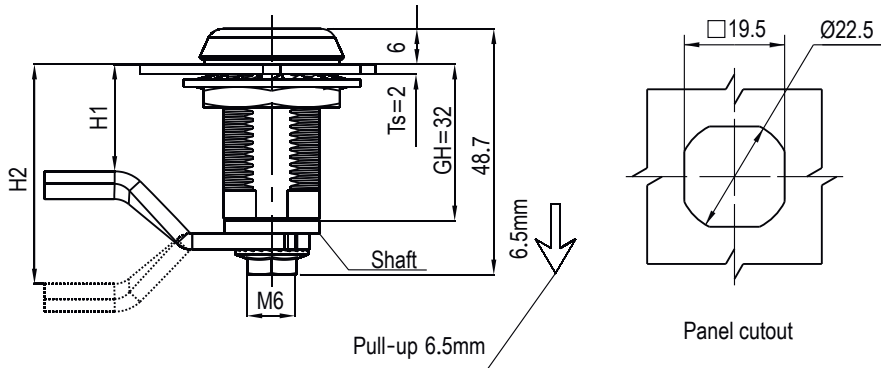
	Key Locking	Non-locking
Latch only	LK1431-10-NP	LK1431-00-NP
Pull tab in-line with latching Cam	LK1431-10	LK1431-00
Pull tab perpendicular to latching Cam	LK1431-10-V	LK1431-00-V

# Compression latch, Large version, Fixed grip range, insert without circle

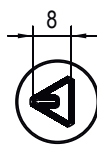
**RL P65**

Index

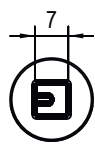
Lock



Triangular 7mm



Triangular 8mm



Square 7mm



Square 8mm

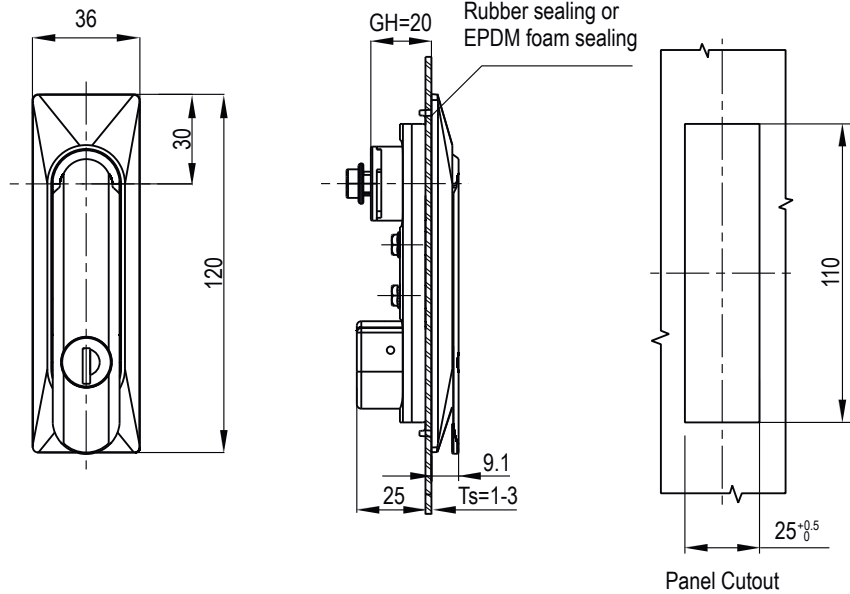


Zinc die housing , cylinder; black powder coated or bright chrome ; m.s. zinc plated cam and shaft.

Camstyle	Head Style			
	Triangular 7mm	Triangular 8mm	Square 7mm	Square 8mm
	LK1423-0371-10	LK1423-0381-10	LK1423-0471-10	LK1423-0481-10

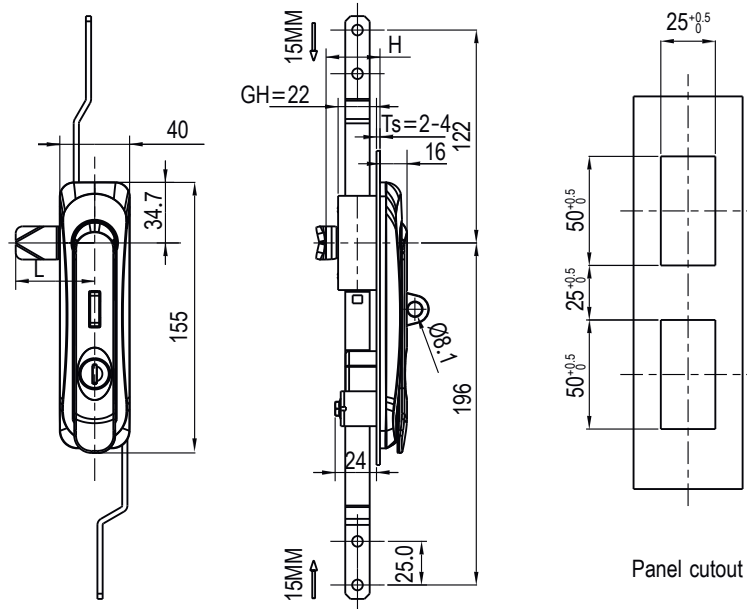
Index

Lock



Black PA or zinc die lock housing, zinc die handle black powder coated, zinc die shaft and m.s. zinc plated fixing parts.

	Zinc die handle, PA housing	Zinc Die	PA
Small size	LK1201-02-0120	LK1201-02-0220	LK1201-02-0320



Zinc die body and rod control, zinc plated cam, black powder coated or E-coated

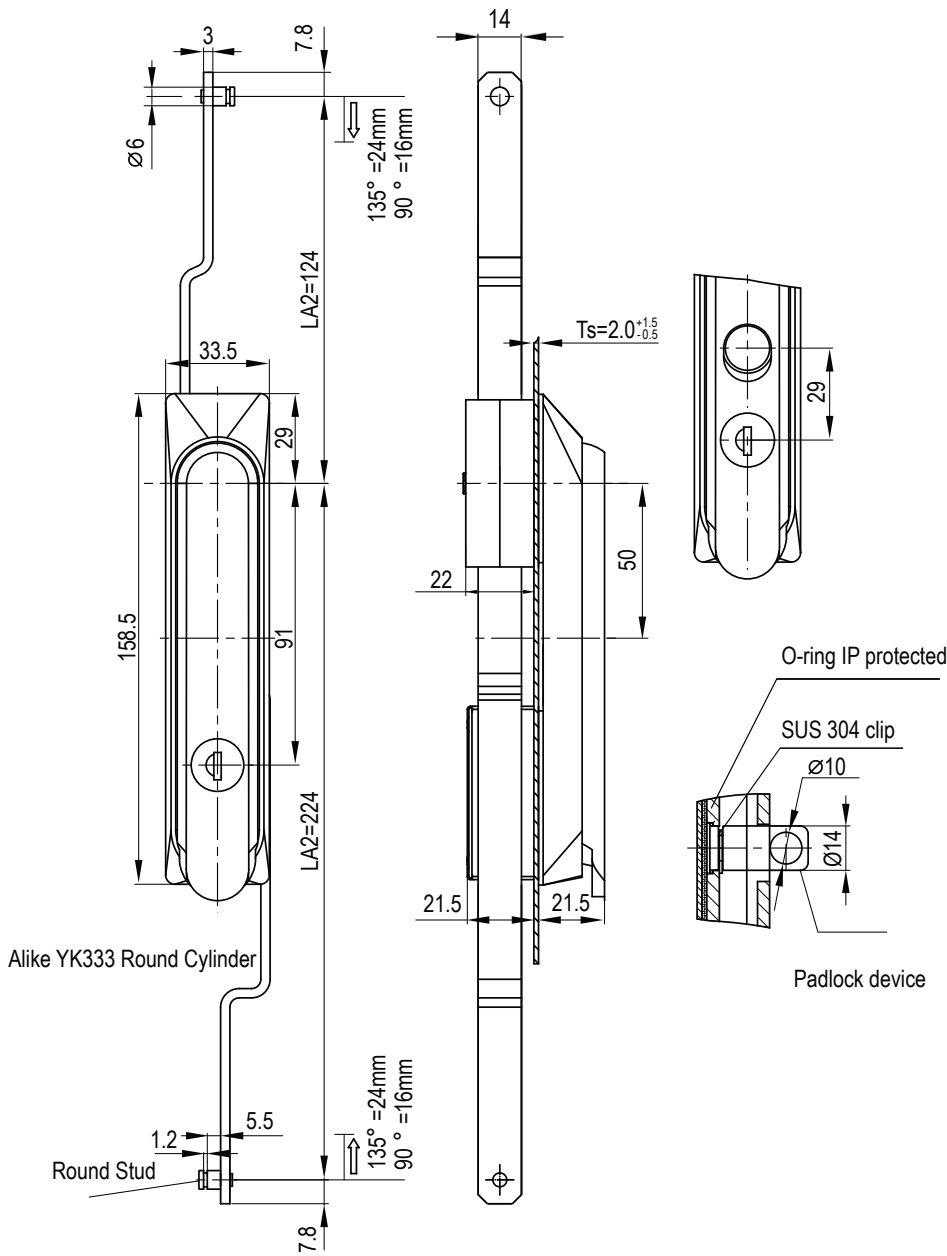
	Version B (2P. rod control)	Version C (3P. rod control)
Padlockable	LK1129-2001-10-P	LK1129-3001-10-P
Without padlock	LK1129-2001-10	LK1129-3001-10

# Rod Control Swinghandle



Index

Lock



PA lock body, zinc die rod control, m.s. zinc plated shaft and flat rod.

Cylinder style	Version B(2P.rod control)		Version C (3P.rod control)	
	Dust Cap		Dust Cap	
	with	without	with	without
Alike YK333 Round Cylinder	1101-2001-C	1101-2001-NC	LK1101-3001-C	LK1101-3001-NC

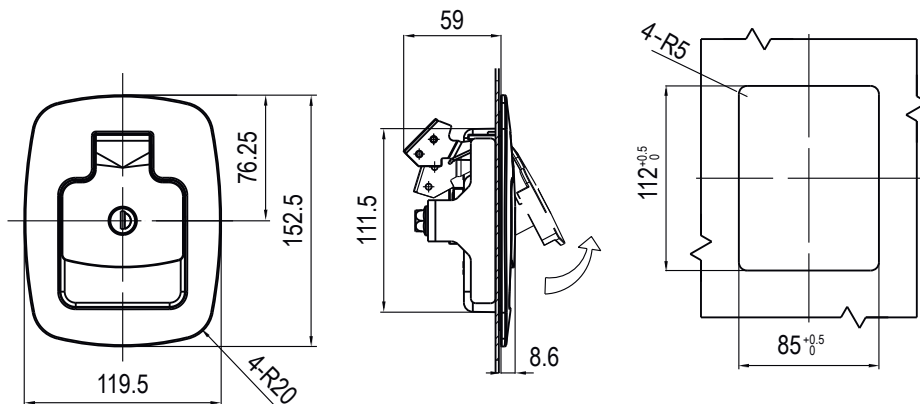
Accessories ref. to page #  
 1. CAM ref. to page 32  
 2. Rod control 1190 series

Remark  
 1. Key different on request  
 2. CH751 key code on request  
 3. Padlockable on request

Index



Lock

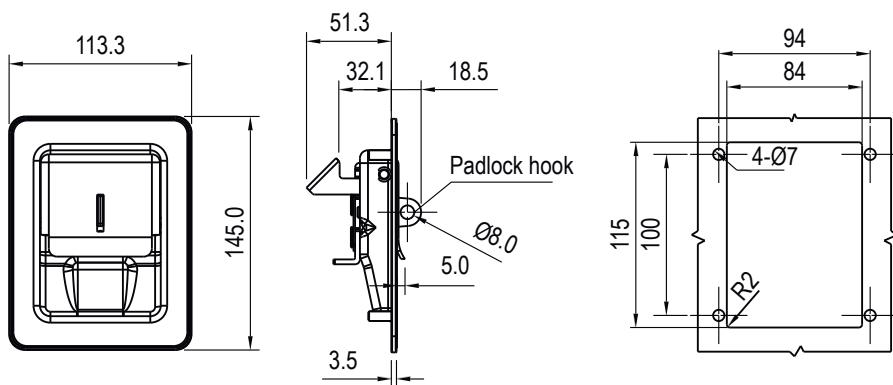


Panel Cutout

Black PA plastic, housing, handle

Key Locking

LK1701-10-90

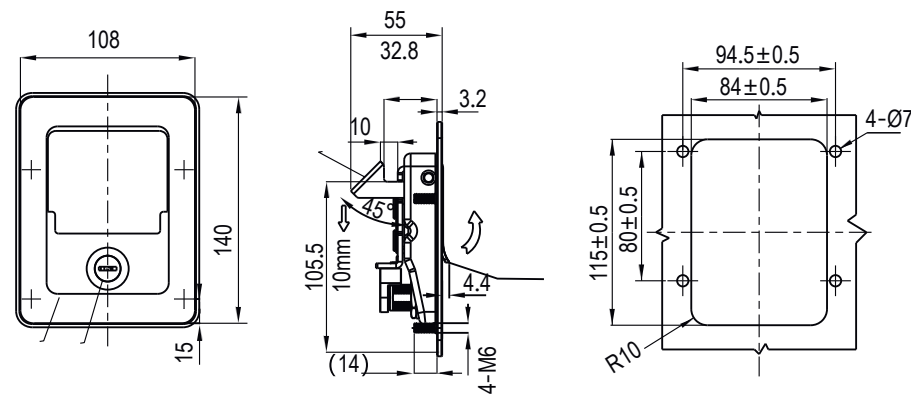


Panel Cutout

Paddle housing, handle, padlock hook m.s. black smooth powder coated, slide plate, cam, m.s. zinc plated

Padlockable

LK1702-00-10-P



Panel Cutout

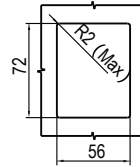
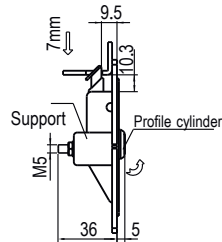
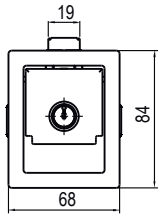
Paddle housing, Handle; Q235, E-coated Black smooth powder coated, Slide plate, Cam; Q235, Bule white zinc plated, Rivet stud, Pin; SUS304, natural

LK1702-10A-10

# Paddle Latch



Index

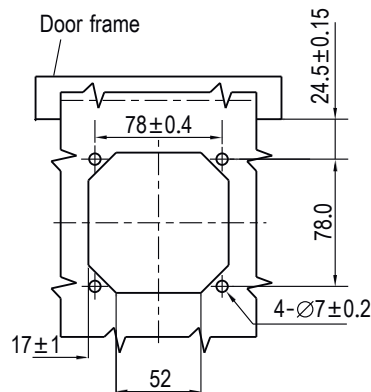
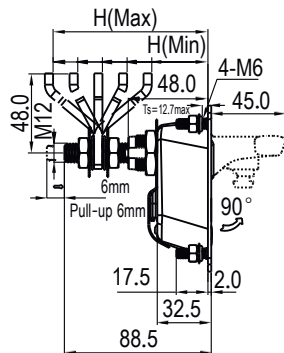
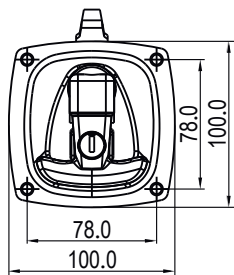


Panel cutout

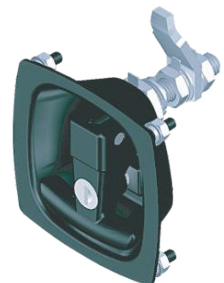


Housing,Handle,support,steel,paint spraying or stainless steel,natural

	Steel, Paint Spraying	SUS 304
With insert	LK1703-210-10	
Without insert	LK1703-200-10	LK1703-200-304



Panel Cutout

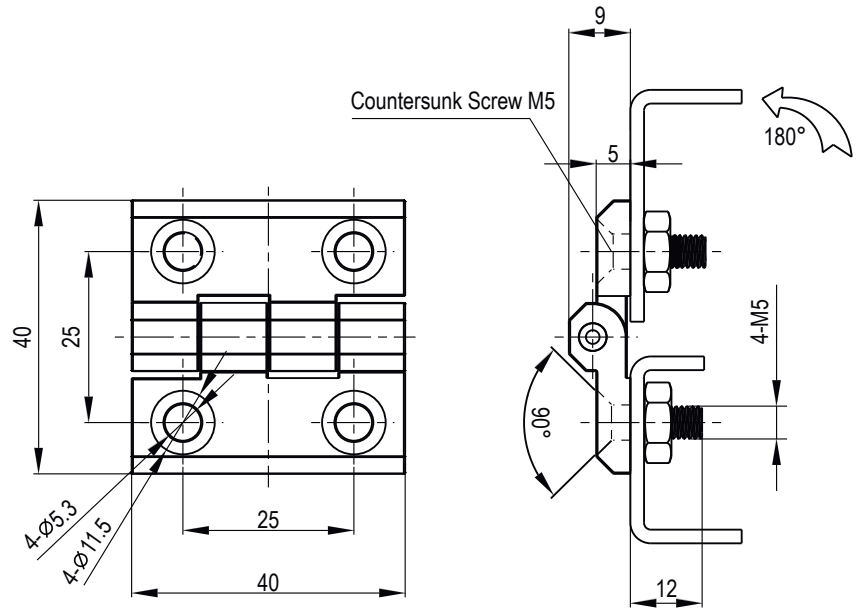


Housing Handle,support,steel paint spraying or stainless steel natural

Camstyle	Grip Range		Key Locking	Non-locking
	Min	Max		
Reversed cam	28	43	LK1704-110-110	LK1704-100-110
	43	58	LK1704-110-310	LK1704-100-310
Straight cam	58	73	LK1704-110-210	LK1704-100-210
Offset cam	73	88	LK1704-110-310	LK1704-100-310
	88	104	LK1704-110-110	LK1704-100-110

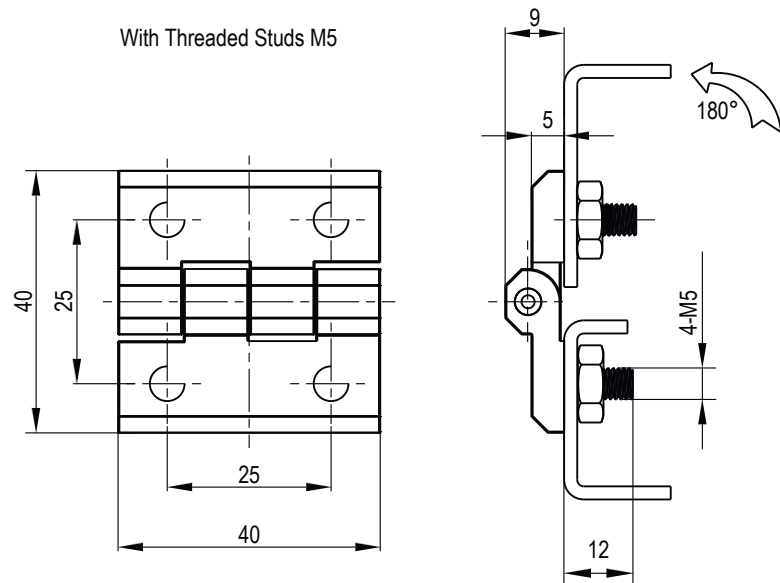


Countersunk Screw M5



SUS material upon request

With Threaded Studs M5

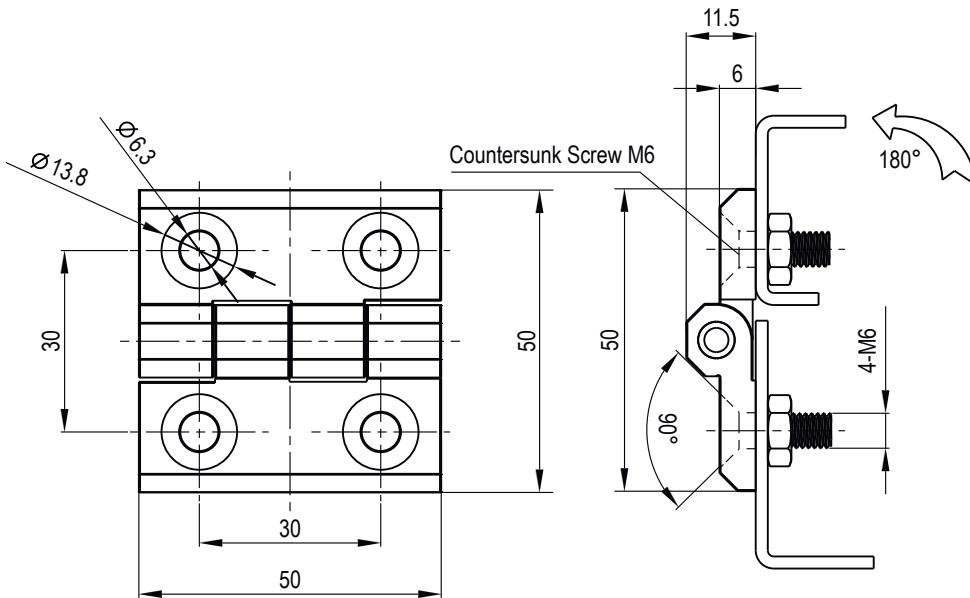


Zinc die, m.s. zinc plated or SUS pin and threaded studs, black powder coated or bright chrome

Screw-on Hinge 40X40		
Finish	Countersunk Screw M5	With Threaded Studs M5
Black Powder Coated	HG 2101-400-10	HG 2101-401-20
Bright Chrome	HG2101-400-30	
SUS 316	HG2101-400-316	
Textured Chrome Plated		HG2101-401-79

# Screw-on Hinge

Countersunk Screw M6



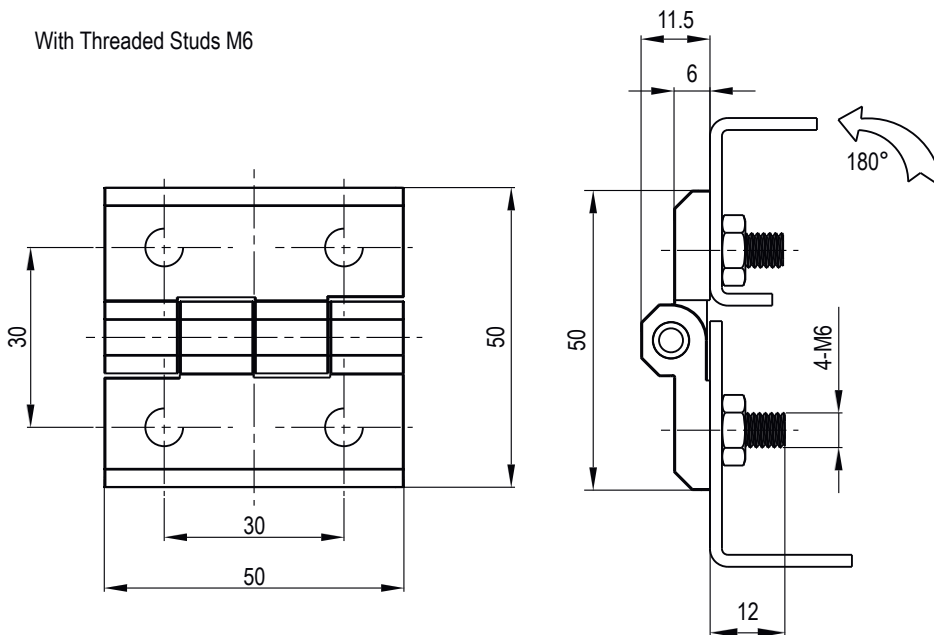
Index

Hinges



SUS material upon request

With Threaded Studs M6

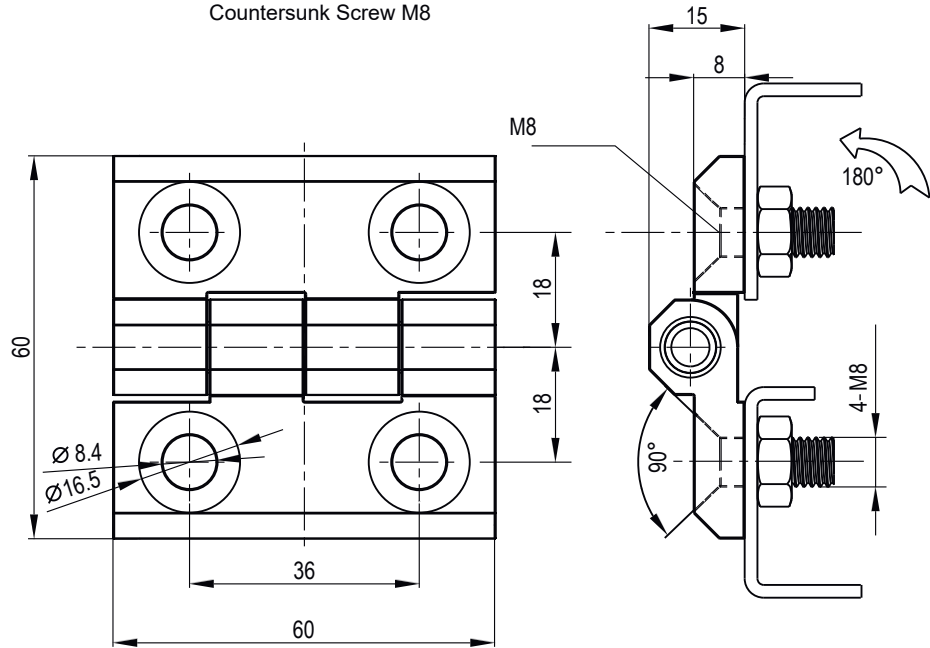


Zinc die, m.s. zinc plated or SUS pin and threaded studs, black powder coated or bright chrome

Screw-on Hinge 50X50		
Finish	Countersunk Screw M6	With Threaded Studs M6
Black Powder Coated	HG 2101-500-10	HG 2101-501-20
Bright Chrome	HG 2101-500-30	
SUS 316	HG 2101-500-316	
Textured Chrome Plated		HG 2101-501-79

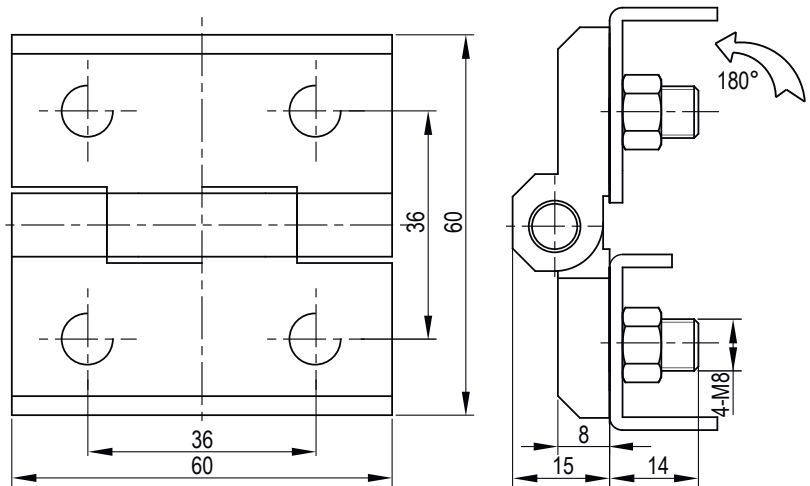


Countersunk Screw M8



SUS material upon request

With Threaded Studs M8



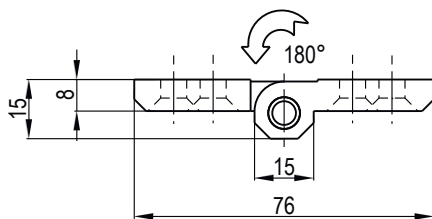
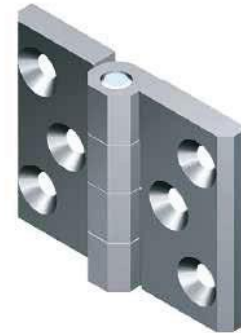
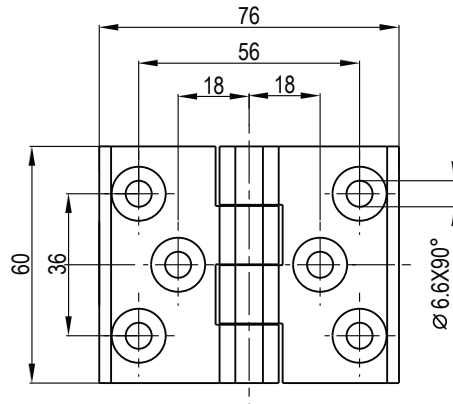
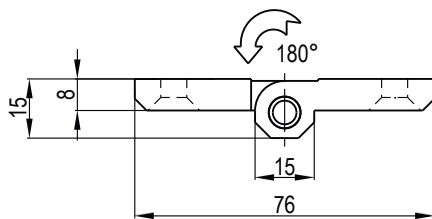
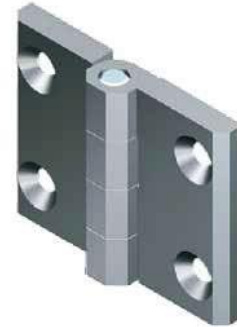
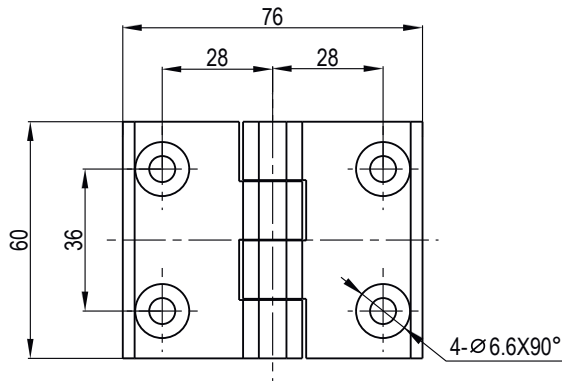
SUS material upon request

Zinc die, m.s. zinc plated or SUS pin and threaded studs, black powder coated or bright chrome

Screw-on Hinge 60X60		
Finish	Countersunk Screw M8	With Threaded Studs M8
Black Powder Coated	HG2101-600-10	HG2101-601-20
Bright Chrome	HG2101-600-30	
SUS316	HG2101-600-316	
Textured Chrome Plated		HG2101-601-79

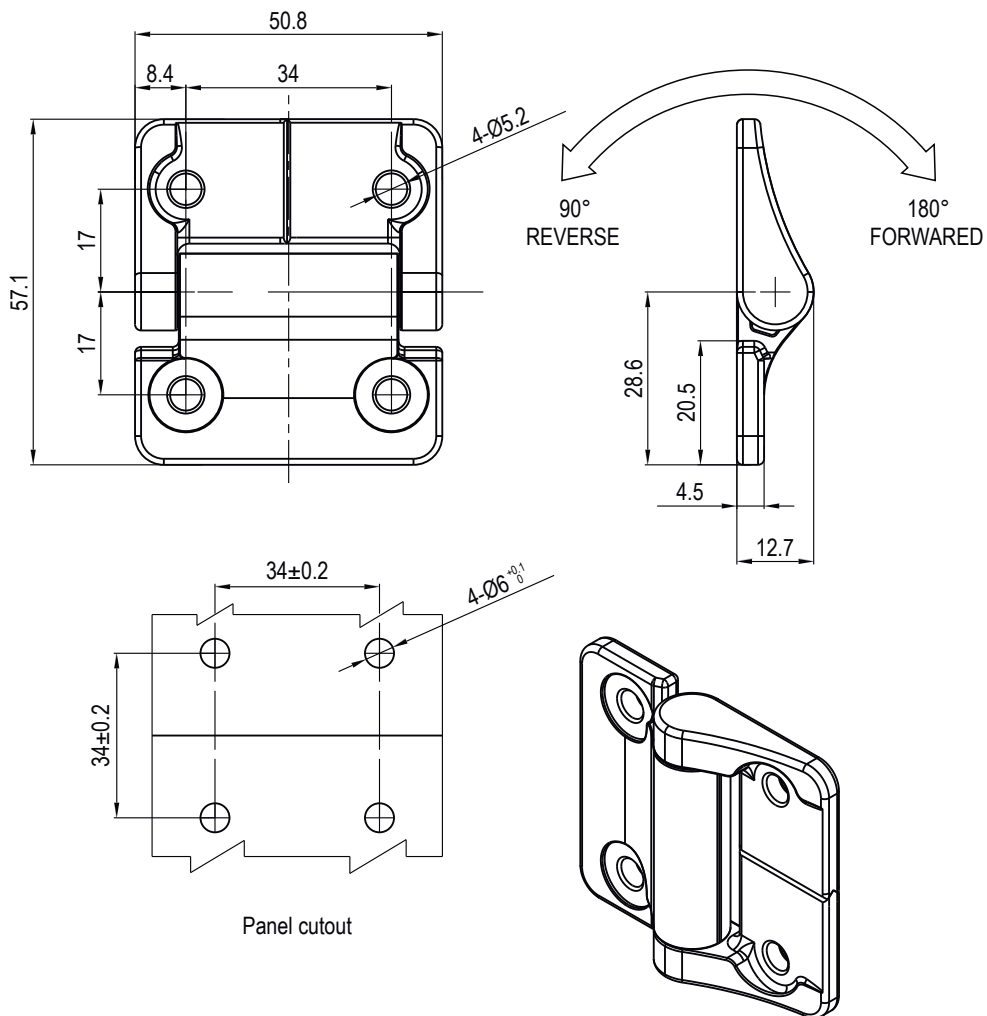
# Screw-on Hinge

Countersunk Screw M6



Zinc die,m.s. zinc plated or SUS pin,black powder coated or bright chrome,SUS material upon request

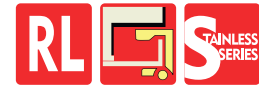
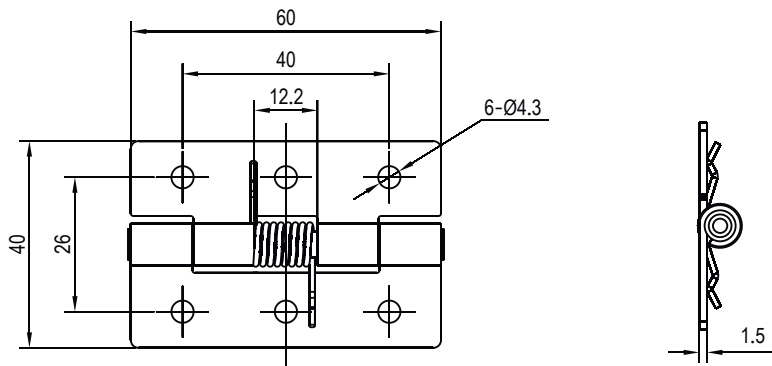
Screw-on Hinge 60X76		
Finish	4 Countersunk Screw hole M6	6 Countersunk Screw hole M6
Black Powder Coated	HG2101-6764-10	HG2101-6766-10
Bright Chrome	HG2101-6764-30	HG2101-6766-30



Zinc screw-in torque hinge, SUS pin

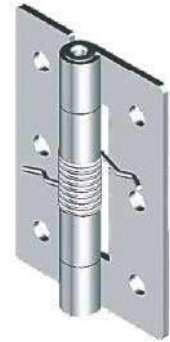
Symmetric N.m			
	Black Textured Powder Coated	Natural	
Free Operating	HG2118-100-20	HG2118-100-11	
1.8	HG2118-118-20	HG2118-118-11	
2.3	HG2118-123-20	HG2118-123-11	
3.4	HG2118-134-20	HG2118-134-11	
Asymmetric N.m			
Forward Torque N.m	Reverse Torque N.m	Black Textured Powder Coated	Natural
2.3	1.4	HG2118-123F-20	HG2118-123F-11
3.4	2.0	HG2118-134F-20	HG2118-134F-11
4.5	2.7	HG2118-145F-20	HG2118-145F-11
1.4	2.3	HG2118-114R-20	HG2118-114R-11
2.0	3.4	HG2118-120R-20	HG2118-120R-11
2.7	4.5	HG2118-127R-20	HG2118-127R-11

# Screw-on Torque Hinge



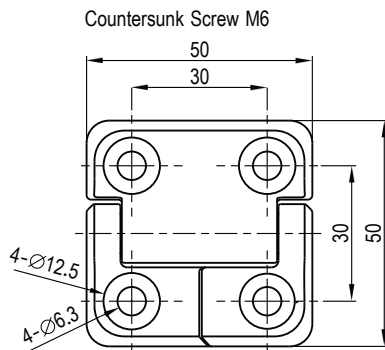
Index

Hinges

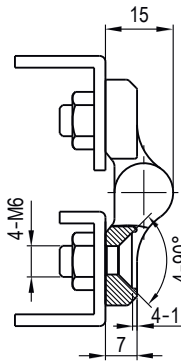


SUS304 Material

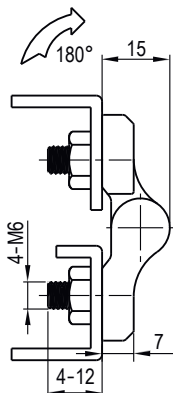
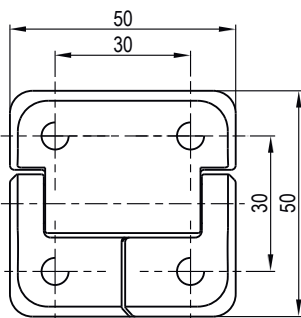
SUS304	HG2128-600-304
--------	----------------



90° 180°  
REVERSE FORWARDED



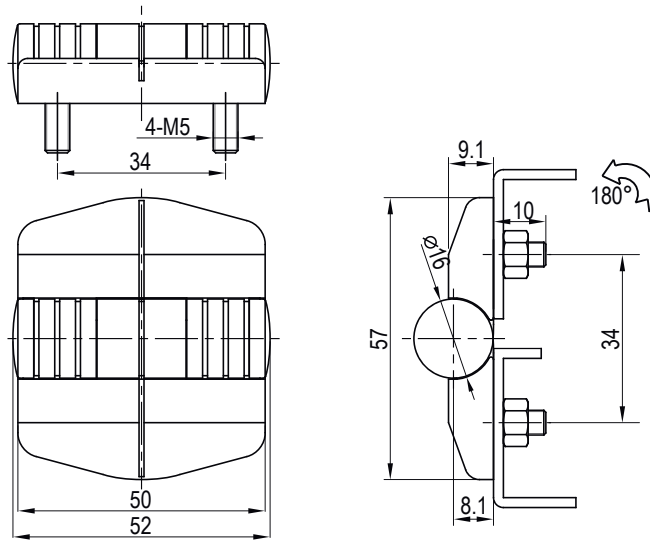
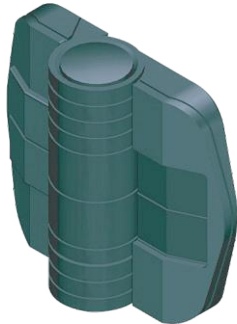
With Threaded Studs M6



Zinc screw-in torque hinge, SUS pin  
Symmetric N.m

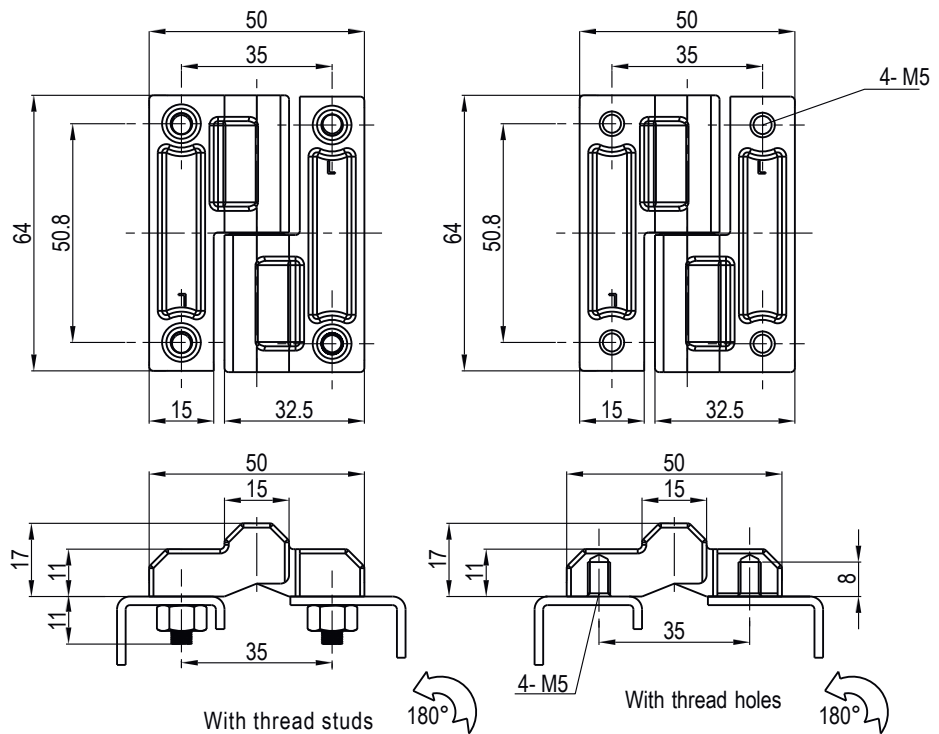
	Black Textured Powder Coated	
	Countersunk Screw M6	With Threaded Studs M6
Free Operating	HG2136-5000-20	HG2136-5100-20
1.8	HG2136-5018-20	HG2136-5118-20
2.3	HG2136-5023-20	HG2136-5123-20
3.4	HG2136-5034-20	HG2136-5134-20

CYCLE LIFE:  
Within 25,000 cycles static torque stay  
Within ±20% of torque specification.



Nylon black hinge leaves & covers, acetal black hinge pin and pin insert

	Free-Swinging	HG 2105-0-90	
Positioning Torque N.M	Detented open angle: 80°	Detented open angle: 115°	Detented open angle: 150°
0.7	HG2105-08007-90	HG2105-11507-90	HG2105-1507-90
1.1	HG2105-08011-90	HG2105-11511-90	HG2105-15011-90
1.7	HG2105-08017-90	HG2105-11517-90	HG2105-15017-90

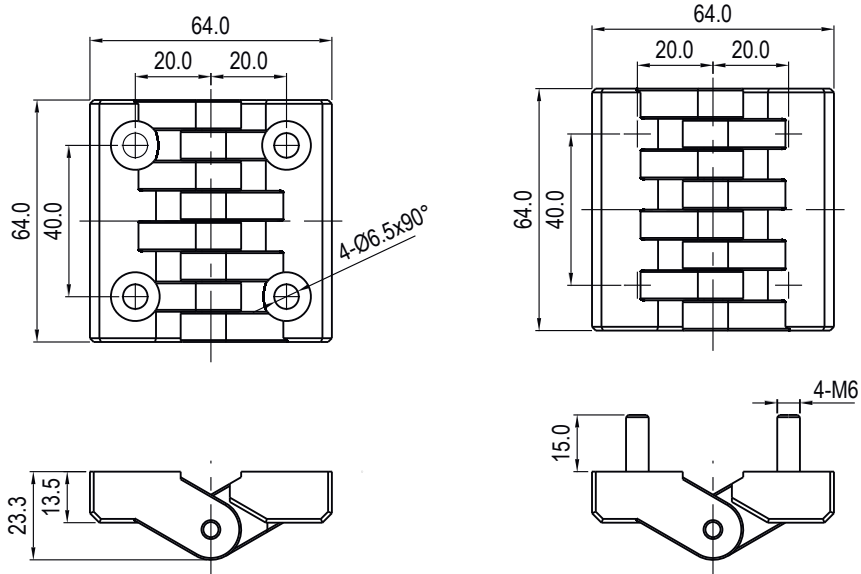


Zinc die, m.s. zinc plated or SUS pin and threaded studs, black powder coated or bright chrome.

	With thread studs	With thread hole
Version A (left)	HG2106-501-L20	HG 2106-500-L10
Version B (Right)	HG2106-501-R20	HG 2106-500-R10

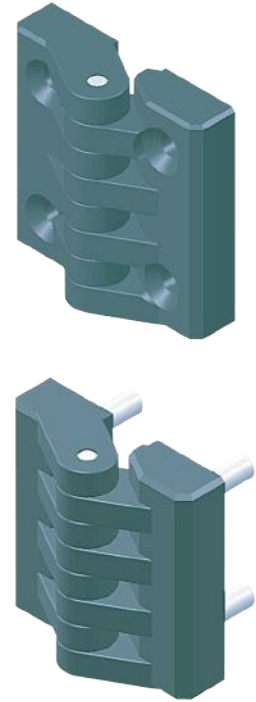
# Screw-on Hinge

Large size



Index

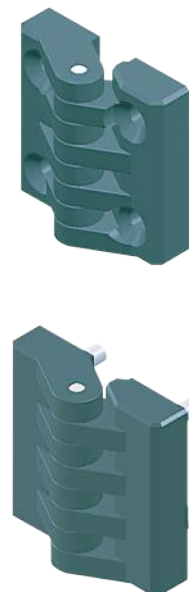
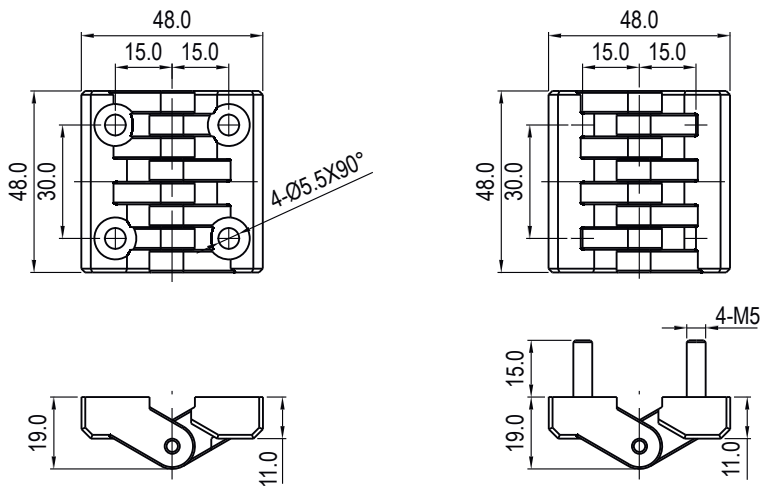
Hinges



Screw-on hinge polyamide GF black, pin m.s. zinc plated

Screw-on Hinge 64X64	
Countersunk Screw M6	With Threaded Studs M6
HG 2120-640-90	HG 2120-641-90

Small size

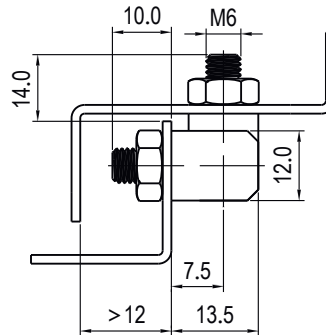


Screw-on hinge polyamide GF black, pin m.s. zinc plated

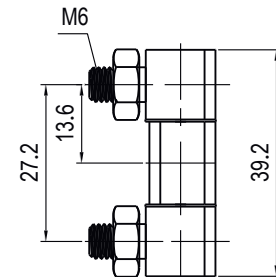
Screw-on Hinge 48X48	
Countersunk Screw M5	With Threaded Studs M5
HG 2120-480-90	HG 2120-481-90



Small size



Two Joints

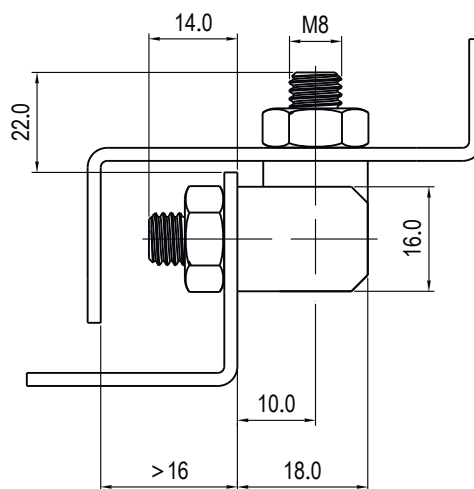


Three Joints

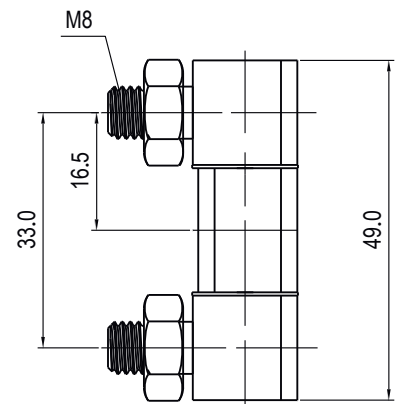
Stainless steel or m.s. zinc plated

Version	L	Stainless steel	Steel
Two Joints	L=25.6	HG 2207-256-304	HG2207-256-01
Three Joints	L=39.2	HG 2207-392-304	HG2207-392-01

Large size



Two Joints

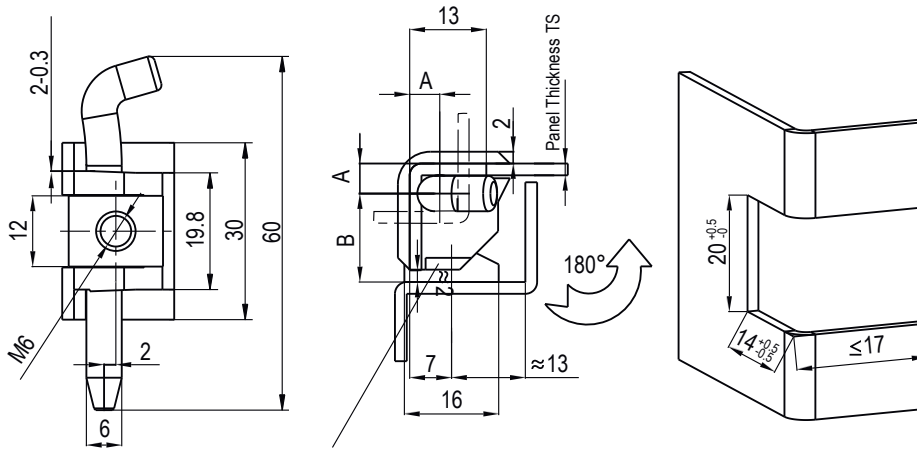


Three Joints

Stainless steel or m.s. zinc plated

Version	L	Stainless steel	Steel
Two Joints	L=32.5	HG 2207-325-304	HG 2207-325-01
Three Joints	L=49	HG 2207-490-304	HG 2207-490-01

# External Hinge



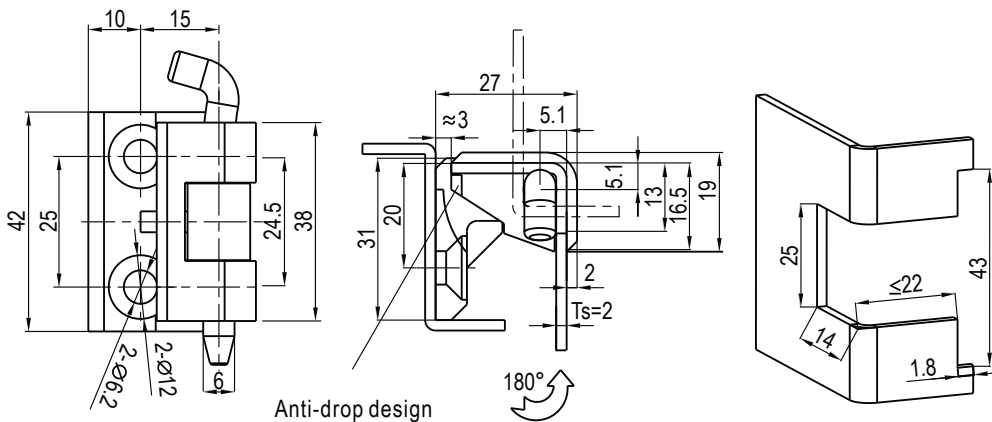
Anti-drop design

Panel cutout



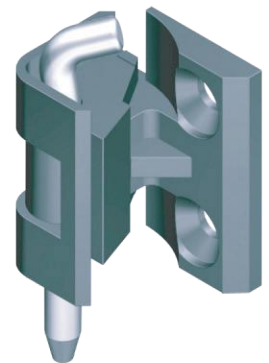
Zinc die, m.s. zinc plated or SUS pin, black textured powder coated or bright chrome

Panel Thickness TS	A	B	Black Powder Coated	Bright Chrome
1.5	4.6	15	HG 2305-15-20	HG 2305-15-30
2.0	5.1	15	HG 2305-20-20	HG 2305-20-30
1.5	4.6	17	HG 2305-1517-20	HG 2305-1517-30
2.0	5.1	17	HG 2305-2017-20	HG 2305-2017-30
1.5	4.6	19	HG 2305-1519-20	HG 2305-1519-30
2.0	5.1	19	HG 2305-2019-20	HG 2305-2019-30



Anti-drop design

Panel cutout

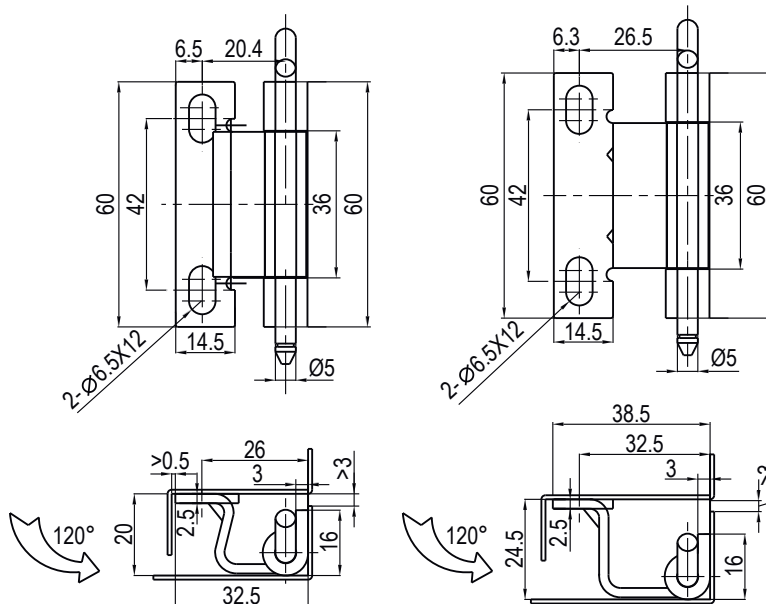


Zinc die, m.s. zinc plated or SUS pin, black textured powder coated or bright chrome

Panel Thickness	Black Textured Powder Coated	Bright Chrome
Ts=1.50mm	HG 2306-15-20	HG 2306-15-30
Ts=2.00mm	HG 2306-20-20	HG 2306-20-30

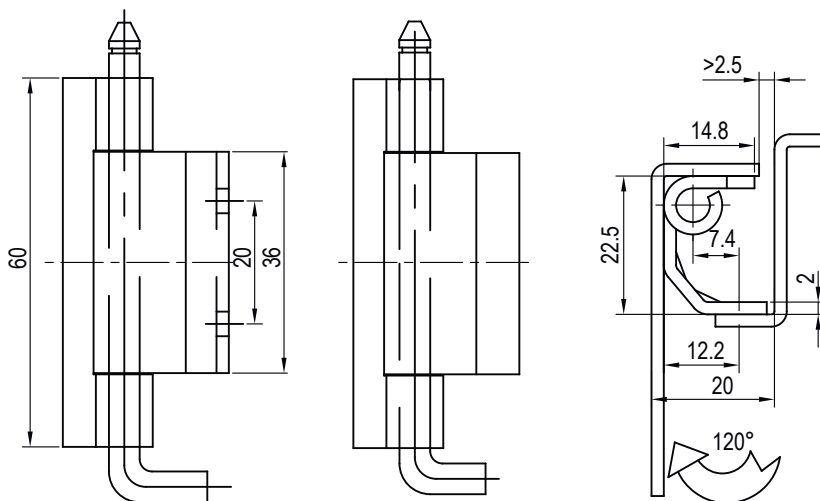
Index

Hinges



M.S. zinc plated or stainless steel

	SUS 304	Steel
(Dim 20)	HG 2407-021-304	HG 2407-021-01
(Dim 24.5)	HG 2407-022-304	HG 2407-022-01



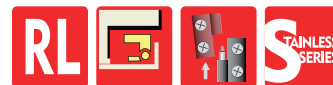
Screw on version

Weld on version

M.S. zinc plated or stainless steel

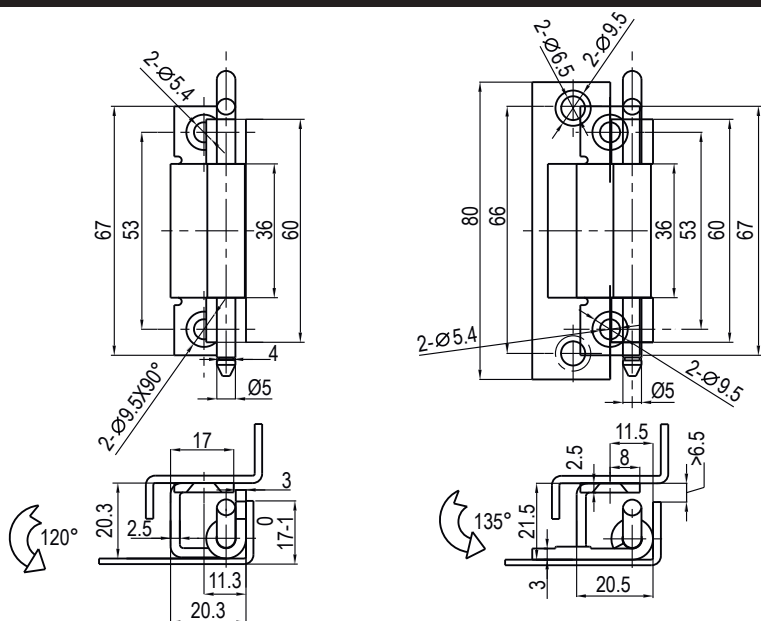
	SUS 304	Steel
Screw on version	HG 2406-011-304	HG 2406-011-01
Weld on version	HG 2406-012-304	HG 2406-012-01

# Concealed Hinge



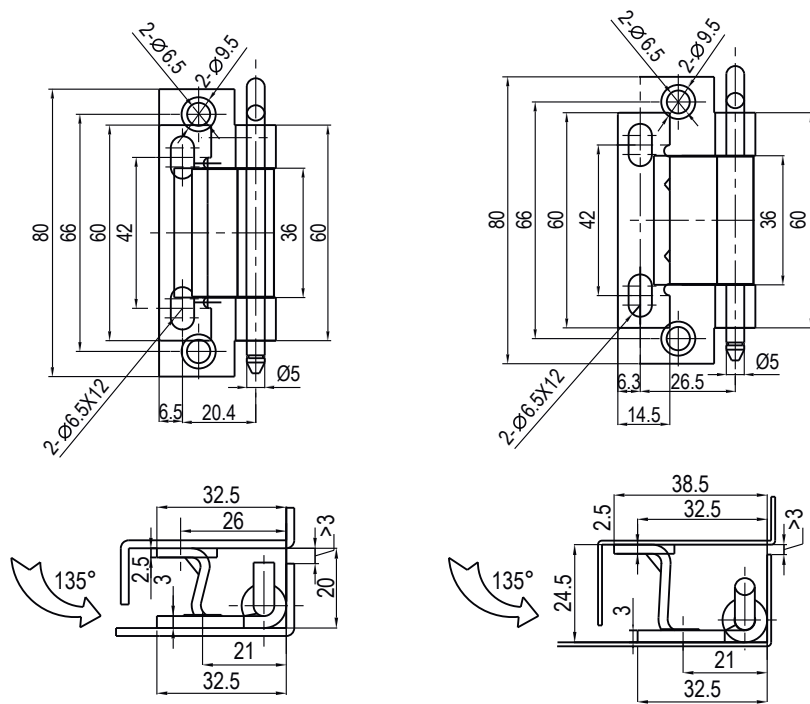
Index

Hinges



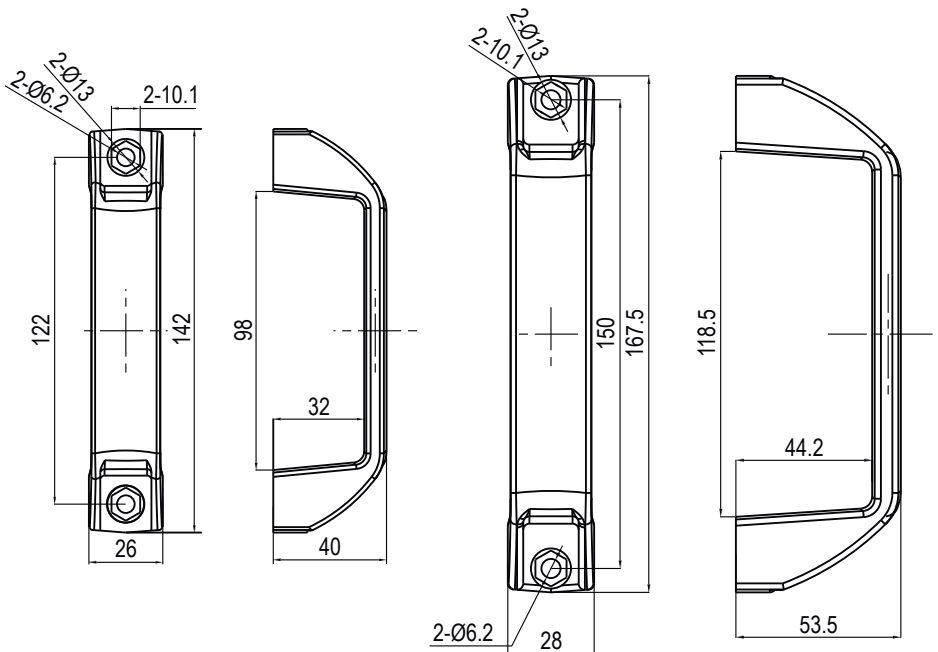
M.S. zinc plated or stainless steel

	SUS 304	Steel
(Dim 20.3)	HG2407-011-304	HG2407-011-01
(Dim 21.5)	HG2407-012-304	HG2407-012-01



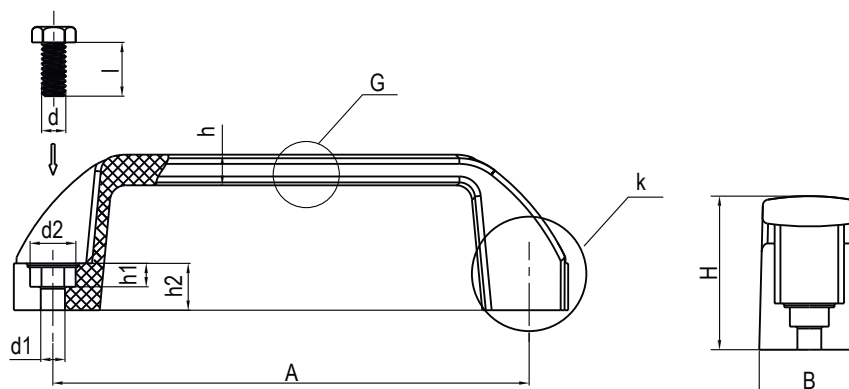
M.S. zinc plated or stainless steel

	SUS 304	Steel
(Dim 20)	HG2407-031-304	HG2407-031-01
(Dim 24.5)	HG2407-032-304	HG2407-032-01



PA6 GF30,black

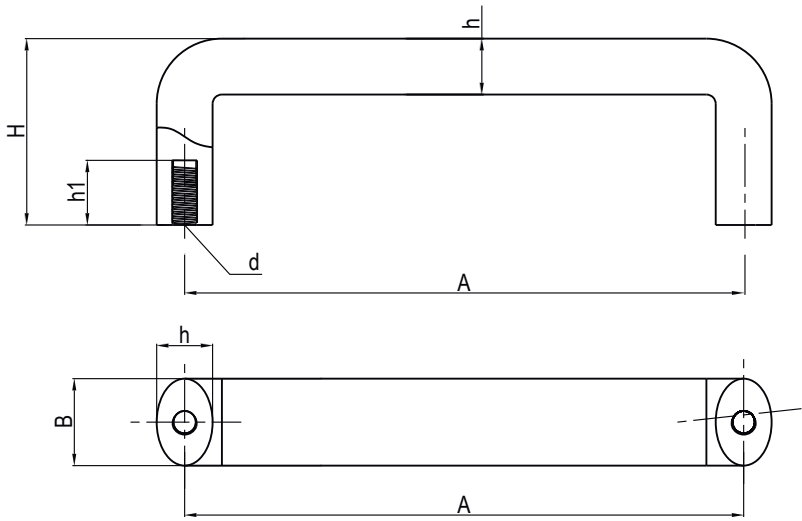
Middle size L=122	A3201-122
Long size L=150	A3201-150



Aluminium alloy, black powder coated

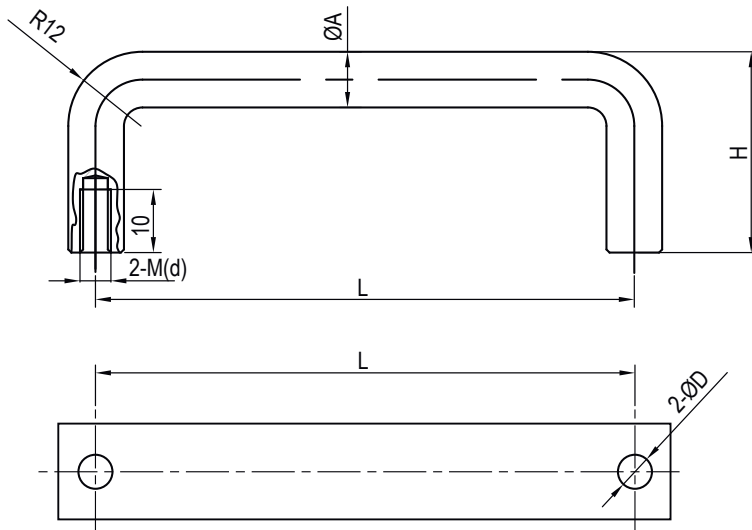
	Description	A	d	d1	d2	h1	h2	B	H	h
3201-090	90x6.5	90	M6		12	7	12	20	36	6
3201-120	120x8.5	120	M8		15	9	15	26	40	7
3201-180	180x8.5	180	M8		15	9	18	28	50	8

# U shape Handle



PA6 GF30, black

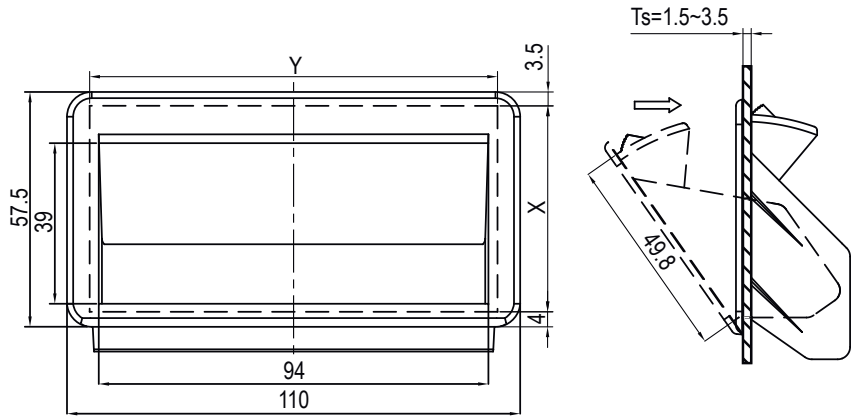
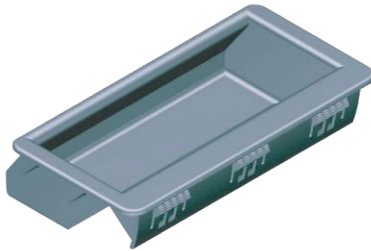
	Description	A	H	d	h1	B	h
A 3204-090	90xM6	90	50	M6	14	28	18
A 3204-120	120xM8	120	60	M8	16	28	20
A 3204-180	180xM8	180	60	M8	16	28	20
A 3204-240	240xM8	240	60	M8	16	28	20



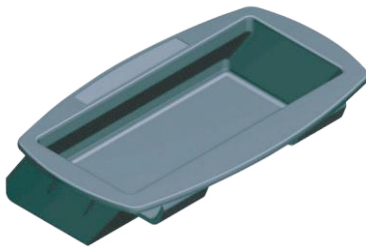
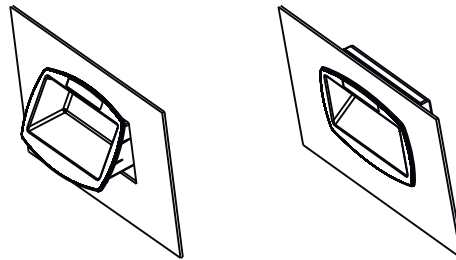
Steel ,bright chrome, or stainless steel

L	A	H	D	d	SUS 304	Steel
87	Ø9	40	2-Ø6	2-M5	A3203-08740-9304	A3203-08740-901
100	Ø9	40	2-Ø6	2-M5	A3203-10040-9304	A3203-10040-901
120	Ø9	40	2-Ø6	2-M5	A3203-12040-9304	A3203-12040-901
135	Ø9	40	2-Ø6	2-M5	A3203-13540-9304	A3203-13540-901
150	Ø9	40	2-Ø6	2-M5	A3203-15040-9304	A3203-15040-901

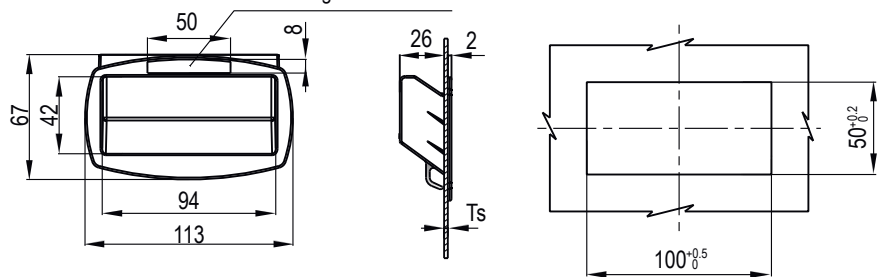
Large size



Pa6 GF30 black	Panel cutout		
	Ts(mm)	X	Y
A3301-01	1.5~2	49.8 $^{+0.2}$	99.5
	2~3	50 $^{+0.3}$	99.5



Customer special logo can be here.  
Logo size: 50X80

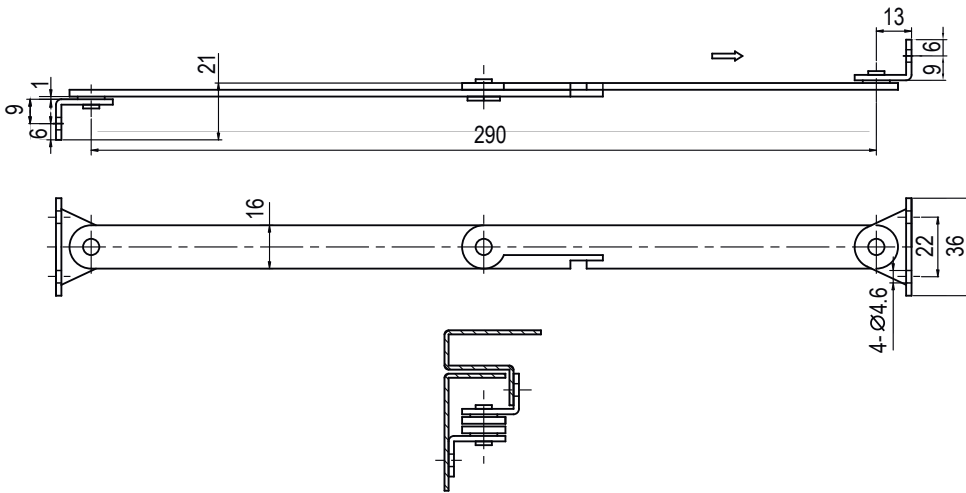


Black PA+GF

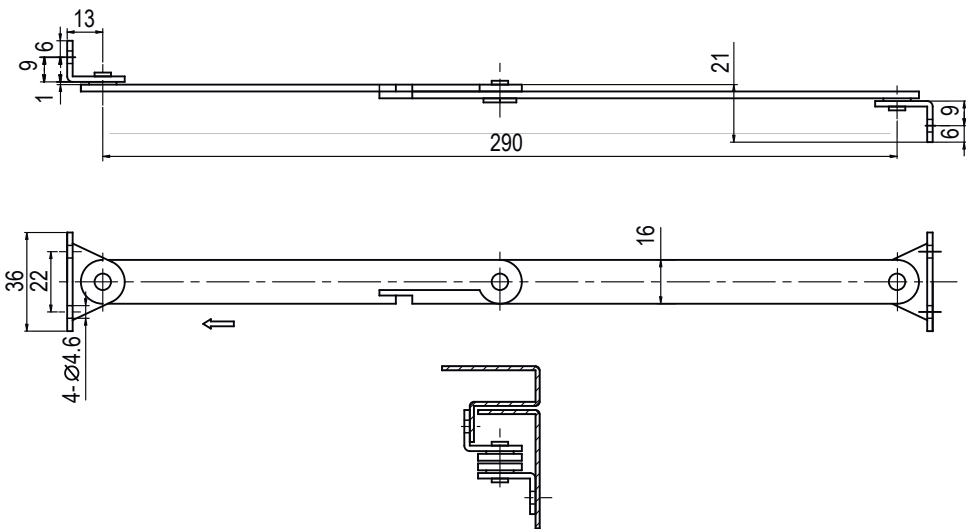
Panel cutout

Panel Ts= Min ~Max	
0.8~1.2	A 3307-01
1.2~1.6	A 3307-02
1.75~2.2	A 3307-03

# Telescopic Cover Stay



Left opening

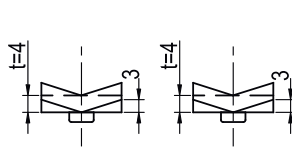
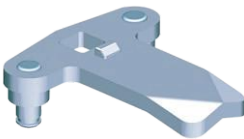
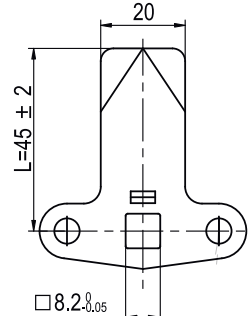
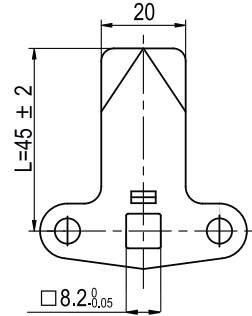
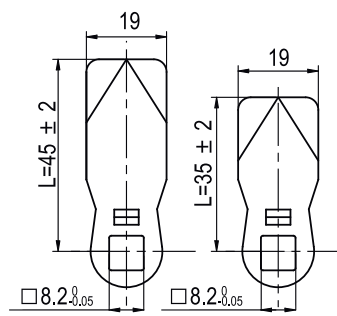
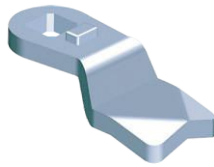


Right opening



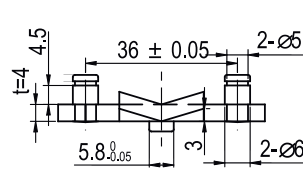
M.S. nickel plated or stainless steel

	Steel in nickel plated	SUS 304
Left opening	TEL6104-01-00	TEL6104-01-304
Right opening	TEL6104-02-00	TEL6104-02-304

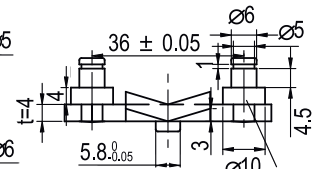


9100-04H

9100-06H

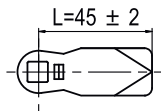
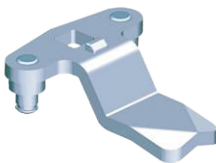


9100-95H

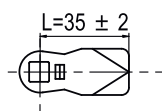


9100-96H

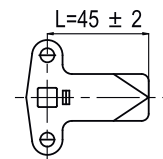
Raised 4mm studs



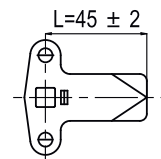
9100-04H



9100-06H



9100-95H



9100-96H

M.S .zinc plated, stainless steel material upon request

H=GH+BH							Cam Part #			
BH	GH=18	GH= 30	GH= 36	GH= 40	GH= 50	GH= 60				
-16	2	14	20	24	34	44	J9100-0402			
-14	4	16	22	26	36	46	J9100-0404		J9100-9504	J9100-9604
-12	6	18	24	28	38	48	J9100-0406	J9100-0606	J9100-9506	J9100-9606
-10	8	20	26	30	40	50	J9100-0408	J9100-0608	J9100-9508	J9100-9608
-8	10	22	28	32	42	52	J9100-0410	J9100-0610	J9100-9510	J9100-9610
-5	13	25	31	35	45	55	J9100-0413	J9100-0613	J9100-9513	J9100-9613
-4	14	26	32	36	46	56	J9100-0414	J9100-0614	J9100-9514	J9100-9614
-2	16	28	34	38	48	58	J9100-0416	J9100-0616	J9100-9516	J9100-9616
0	18	30	36	40	50	60	J9100-0418	J9100-0618	J9100-9518	J9100-9618
+2	20	32	38	42	52	62	J9100-0420	J9100-0620	J9100-9520	J9100-9620
+4	22	34	40	44	54	64	J9100-0422	J9100-0622	J9100-9522	J9100-9622
+6	24	36	42	46	56	66	J9100-0424	J9100-0624	J9100-9524	J9100-9624
+7	25	37	43	47	57	67	J9100-0425	J9100-0625	J9100-9525	J9100-9625
+8	26	38	44	48	58	68	J9100-0426	J9100-0626	J9100-9526	J9100-9626
+10	28	40	46	50	60	70	J9100-0428	J9100-0628	J9100-9528	J9100-9628
+12	30	42	48	52	62	72	J9100-0430	J9100-0630	J9100-9530	J9100-9630
+14	32	44	50	54	64	74	J9100-0432		J9100-9532	J9100-9632
+16	34	46	52	56	66	76	J9100-0434		J9100-9534	J9100-9634
+17	35	47	53	57	67	77	J9100-0435	J9100-0635	J9100-9535	J9100-9635
+18	36	48	54	58	68	78	J9100-0436		J9100-9536	J9100-9636
+20	38	50	56	60	70	80	J9100-0438	J9100-0638	J9100-9538	J9100-9638
+22	40	52	58	62	72	82	J9100-0440	J9100-0640	J9100-9540	J9100-9640
+24	42	54	60	64	74	84	J9100-0442	J9100-0642	J9100-9542	J9100-9642
+26	44	56	62	66	76	86	J9100-0444	J9100-0644	J9100-9544	J9100-9644
+27	45	57	63	67	77	87	J9100-0445		J9100-9545	J9100-9645
+29	47	59	65	69	79	89	J9100-0447		J9100-9547	J9100-9647
+32	50	62	68	72	82	92	J9100-0450		J9100-9550	J9100-9650
+35	53	65	71	75	85	95	J9100-0453			
+37	55	67	73	77	87	97	J9100-0455			

**forbox.pl**

**forbox@forbox.pl**  
**+ 48 512 50 30 50**

**Adres siedziby:**  
**ul. Mazowiecka 63a, hala 2**  
**87-100 Toruń**





**Forbox sp. z o.o. sp. k.**

email: [forbox@forbox.pl](mailto:forbox@forbox.pl)

tel. +48 512 50 30 50

ul. Mazowiecka 63a, hala 2, 87-100 Toruń

NIP 8792697391, REGON 368993160